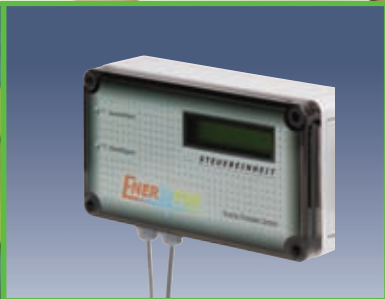
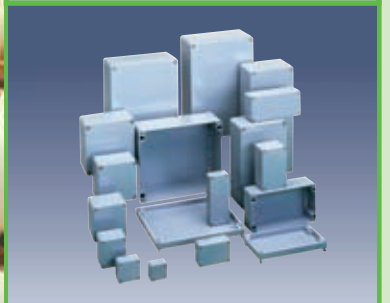
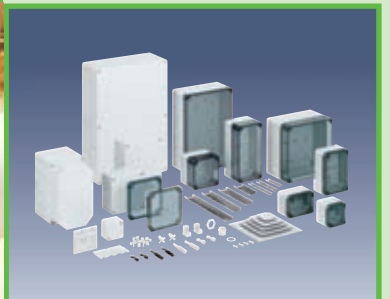


Enclosure Systems for industrial applications



What matters is
the right enclosure...

From tradition to innovation



Expertise in development, quality in production and reliability in service - for over 100 years we have been well known in the enclosures and electrical installation sector.

As a company that has grown up over generations we are, in the best sense, a solid medium sized company with around 400 committed employees and an extensive and successful product range for

- **Enclosure Systems,**
- **Elektrical Installation** and
- **Photovoltaics**

Along with a standard range of enclosures, made from plastics , powder coated aluminium plus a comprehensive range of accessories, we regard ourselves as a development partner for our customers.

Whether new developments, customised solutions with existing enclosures or the manufacture of a complete sub-assembly as a subsystem for your production - we will open up new possibilities for you.



- A supplier of quality products for more than 100 years
- More than 500 standard enclosures available ex-stock
- Different enclosure ranges in plastic and aluminium
- Around 400 employees with experience, expertise and innovative ideas
- With our extensive service programme we are actively committed to your requirements and satisfaction.



Günther Spelsberg GmbH + Co. KG

Im Gewerbepark 1
58579 Schalksmühle
Germany
Telefon: +49 (0) 23 55/ 892-0
Telefax: +49 (0) 23 55/ 892-299
e-mail: info@spelsberg.de
Internet: www.spelsberg.de

Günther Spelsberg GmbH + Co. KG

Vor dem Lohe 3
99627 Buttstädt
Germany
Telefon: +49 (0) 3 63 73/ 98-400
Telefax: +49 (0) 3 63 73/ 98-499
e-mail: info@spelsberg.de
Internet: www.spelsberg.de

Spelsberg-els-UK Ltd.

Unit 17, Stafford Park 12
Telford, Shropshire, TF3 3BJ
United Kingdom
Telefon: +44 (0) 19 52/ 200716
Telefax: +44 (0) 19 52/ 200725
e-mail: info@spelsberg.co.uk
Internet: www.spelsberg.co.uk

Spelsberg spol. s r.o.

Elektroinstalacní materiál
Naskové 1
150 00 Praha 5
Czech Republic
Telefon: +42 (0) 2 57/ 31 31 88
Telefax: +42 (0) 2 57/ 21 01 36
e-mail: info@spelsberg.cz
Internet: www.spelsberg.cz

Spelsberg elektro sp. z o.o.

ul. Al. Młodych 26-28
41-106 Siemianowice Slaskie
Poland
Telefon: +48 (0) 322/ 03 70 22
Telefax: +48 (0) 322/ 20 00 60
e-mail: info@spelsberg.pl
Internet: www.spelsberg.pl

Spelsberg SL

C/Zurita 12, 7°C
50001 Zaragoza
Spain
Telefon: +34 (0) 976/ 79 79 59
Telefax: +34 (0) 976/ 79 79 60
e-mail: info@spelsberg.es
Internet: www.spelsberg.es

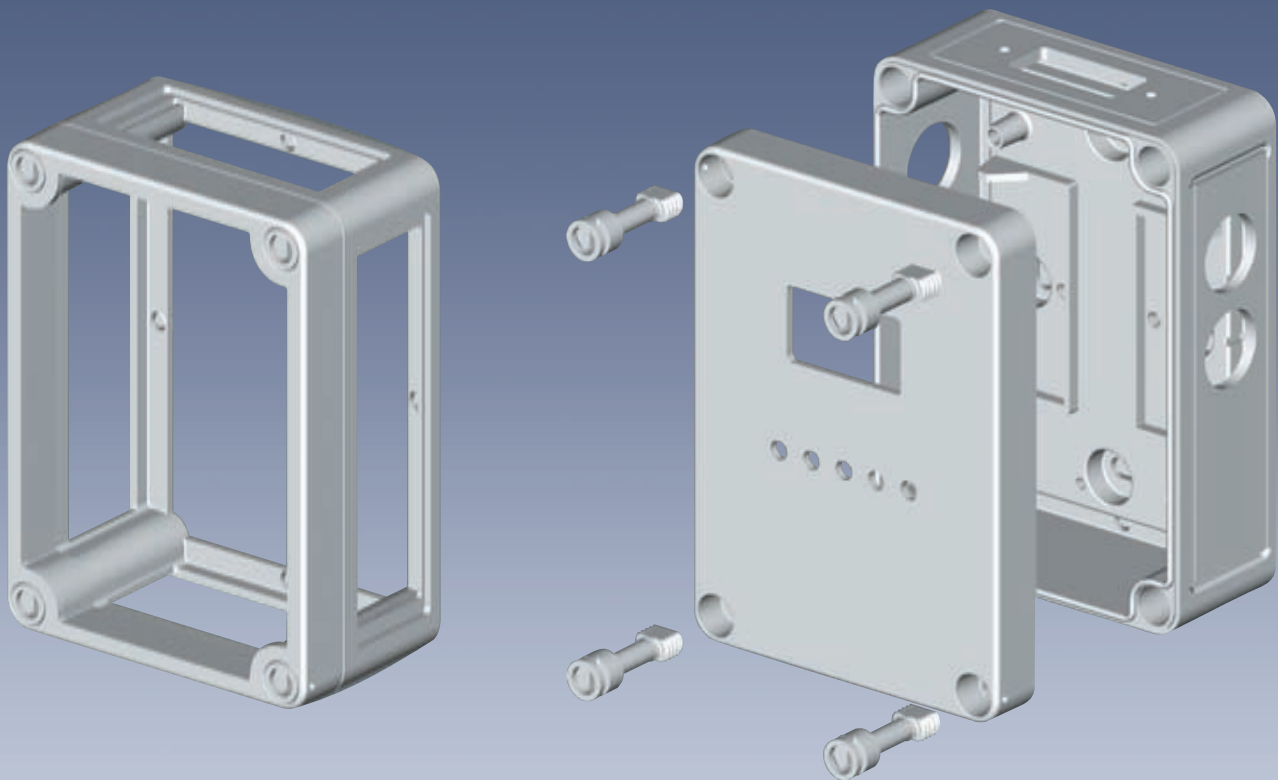
Spelsberg B.V.

Bijsterhuizen 2104d
6604 LG Wijchen
Netherlands
Telefon: +31 (0) 24 345 05 50
Telefax: +31 (0) 24 345 23 69
e-mail: info@spelsberg.nl
Internet: www.spelsberg.nl

Spelsberg A/S

Kochsgade 31A
5000 Odense C
Denmark
Telefon: +45 (0) 63 11 00 03
Telefax: +45 (0) 63 11 00 04
E-mail: info@spelsberg.dk
Internet: www.spelsberg.dk

From development to manufacture – All from a single source



▲ Customised solutions are drawn in 2D or 3D and the first prototypes made in our own tool room.



▲ Just-in-time production thanks to a large range of machinery



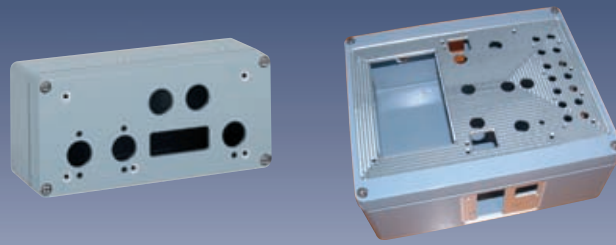
▲ Customised enclosures can, if required, also be assembled or completely fitted out



▲ We place our services at your disposal.

Examples of applications:

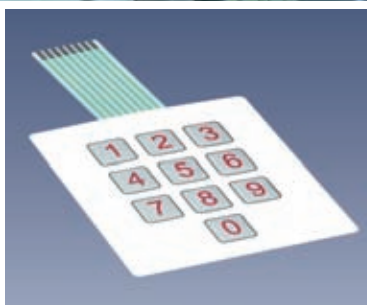
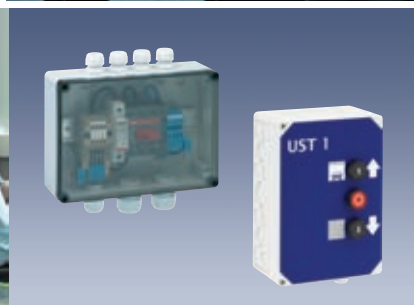
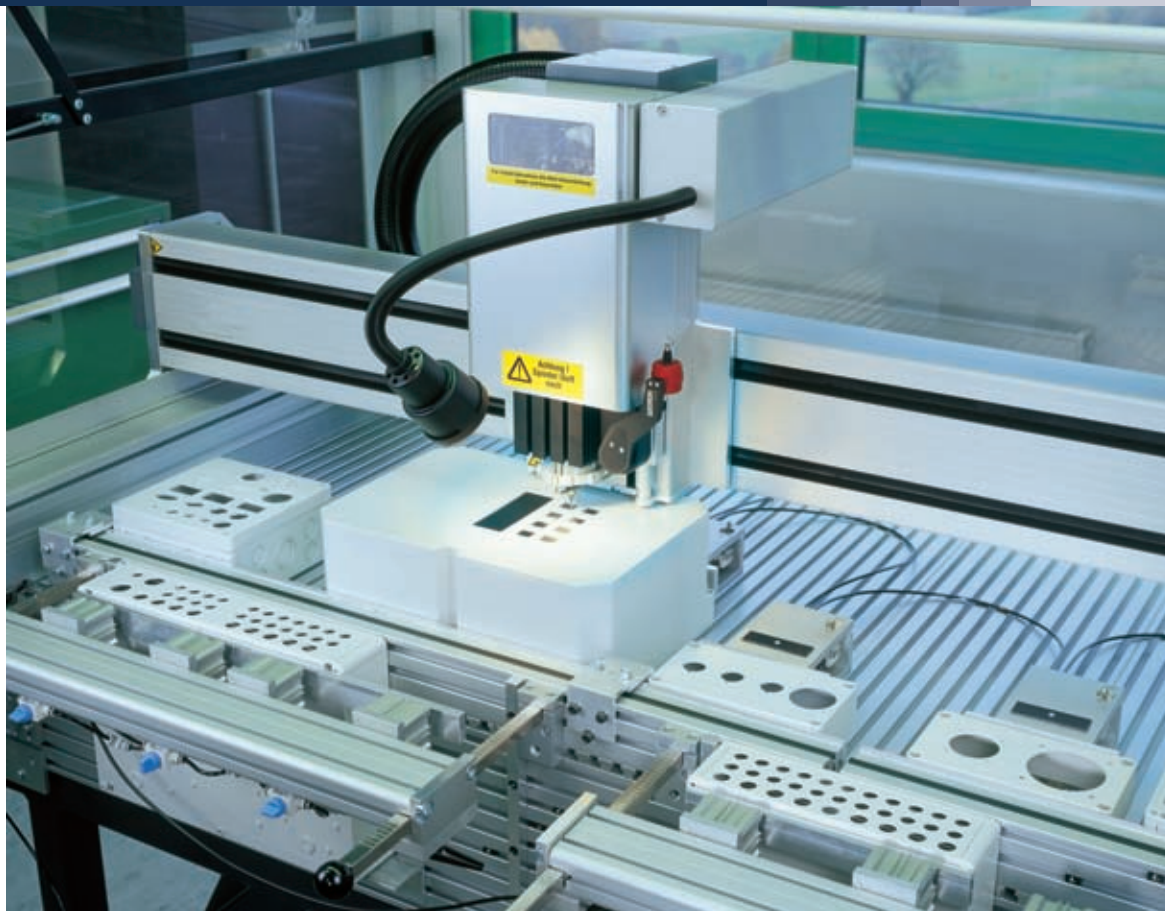
Special designs for the control of installation equipment.



- Planning
- Development
- Prototype building
- Inspection / testing
- Certification
- Project design
- Engineering
- Production
- Brand labelling
- Continuous further development

Our service offer is not restricted to just manufacturing individual enclosures:

As systems suppliers we offer complete solutions in ready to mount modules. Provision of the individual components and installation of the constructional groups is included in the offer. Thus, you purchase complete subsystems and benefit from our all round service enabling you to raise less orders, reduce stock and receive excellent quality. All services and manufacturing steps up to the manufacturing of tools are carried out at the headquarters in Schalksmühle. Short paths between development and manufacturing guarantee the optimal interaction of all specialists participating in the relevant project. Thus, we are able to respond in a quick and flexible way to your requirements with a short period starting with the enquiry up to the ready product.



Application example 1:

Securing of photovoltaic systems

Application example 2:

Control of gate drives

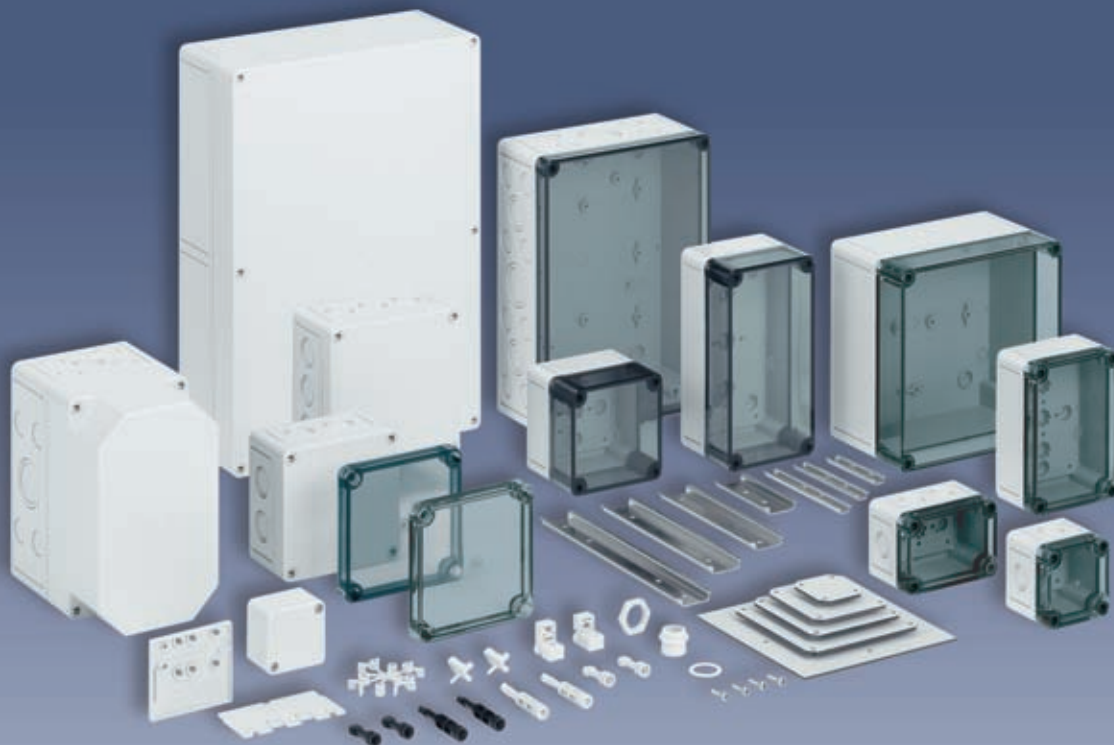
▲ Application example:

TK enclosures are used in various vehicles to safeguard the controller for an innovative automatic lubrication system



TK-Enclosure IP 66

So much - so good.
Coordinated variety



In today's Spelsberg range there are more than 500 different enclosures in plastic and aluminium. These can be provided in different sizes, with pre-punched knockouts, and always with matching accessories.

TK Empty enclosures in plastic, with the choice of:

Polystyrene (PS)

- impact resistant
- withstands temperatures up to 40° C

Polycarbonate (PC)

- glass fibre reinforced
- UV resistant
- withstands temperatures up to 75° C

There is a choice of 13 basic enclosures with up to 3 different cover and 2 enclosure heights.



▲ Special manufacture



Example:



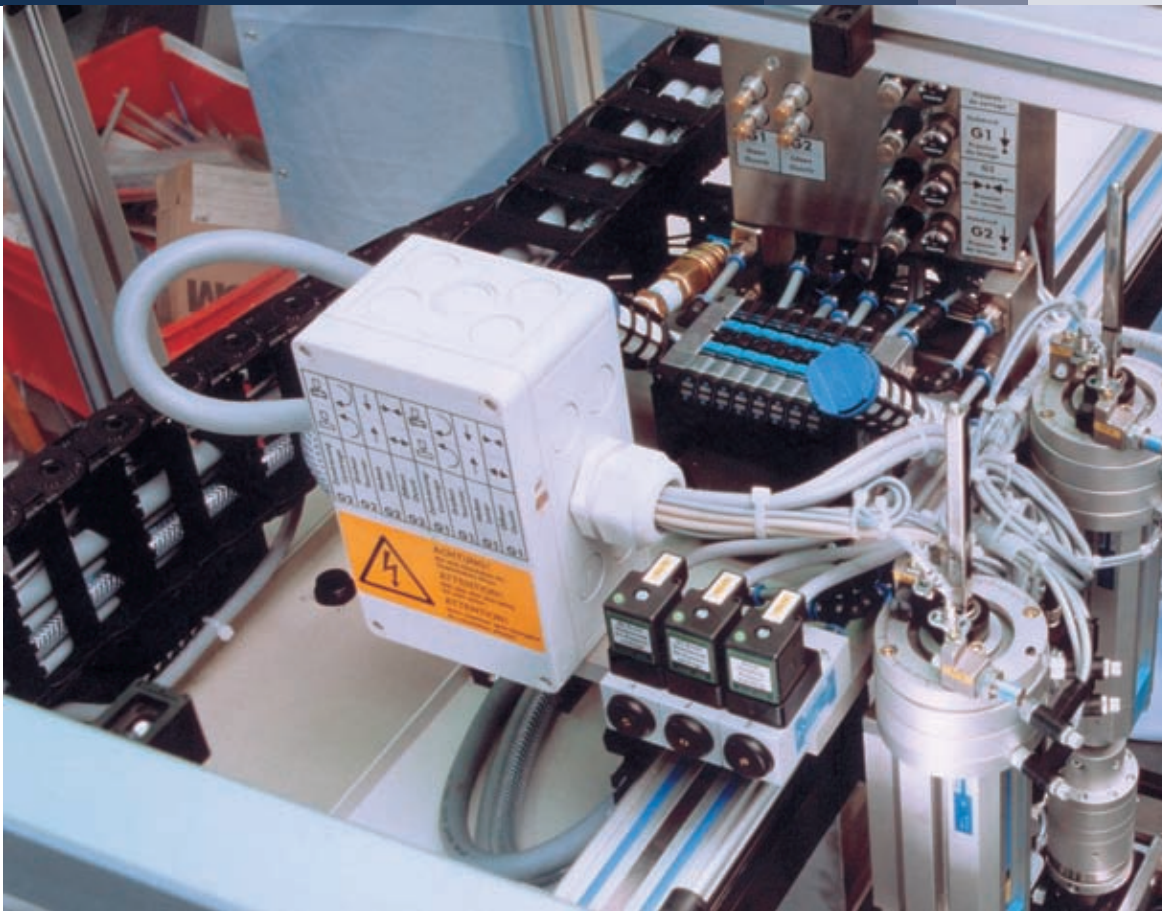
Knock-outs



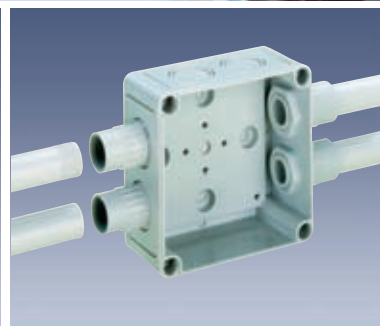
Can be sealed with leads as standard



Special colours available



- Protection class IP 66
- Two different materials (PS, PC)
- Modular tooling: Smooth side walls or metric knockouts
- Flexible tooling: Smooth, metric, special
- Can be sealed with leads as standard
- Different cover heights
- Unlimited combinations possible
- Extensive accessories
- Special colours



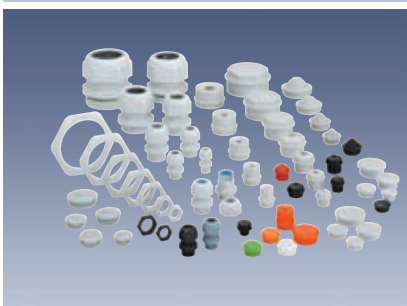
◀ 3 Fixing options:

- Inside base of enclosure
- Using lid screw fixing holes
- With external fixing lugs

◀ Extensive accessories

◀ Unlimited combinations possible

◀ Extensive range of sealing elements



TK standard enclosures at a glance

Base grey Cover grey in Polycarbonate		Base grey Cover transparent in Polycarbonate		Base grey Cover grey in Polystyrene			
with metric pre-punched knockouts		with metric pre-punched knockouts		with metric pre-punched knockouts		without metric pre-punched knockouts	
Type	Order-Ref.	Type	Order-Ref.	Type	Order-Ref.	Type	Order-Ref.
PC 55- 4-m	127 455 01	PC 55- 4-tm	137 455 01				
PC 75- 4-m	127 475 01	PC 75- 4-tm	137 475 01				
PC 77- 6-m	127 401 01	PC 77- 6-tm	137 001 01	PS 77- 6-m	105 401 01	PS 77- 6-o	110 401 01
PC 77- 8-m	127 901 01	PC 77- 8-tm	137 501 01	PS 77- 8-m	105 901 01	PS 77- 8-o	110 901 01
PC 97- 6-m	127 402 01	PC 97- 6-tm	137 002 01	PS 97- 6-m	105 402 01	PS 97- 6-o	110 402 01
PC 97- 8-m	127 902 01	PC 97- 8-tm	137 502 01	PS 97- 8-m	105 902 01	PS 97- 8-o	110 902 01
PC 99- 6-m	127 403 01	PC 99- 6-tm	137 003 01	PS 99- 6-m	105 403 01	PS 99- 6-o	110 403 01
PC 99- 8-m	127 903 01	PC 99- 8-tm	137 503 01	PS 99- 8-m	105 903 01	PS 99- 8-o	110 903 01
PC1111- 7-m	127 404 01	PC1111- 7-tm	137 004 01	PS 1111- 7-m	105 404 01	PS 1111- 7-o	110 404 01
PC1111- 9-m	127 904 01	PC1111- 9-tm	137 504 01	PS 1111- 9-m	105 904 01	PS 1111- 9-o	110 904 01
PC1309- 6-m	127 409 01	PC1309- 6-tm	137 009 01	PS 1309- 6-m	105 409 01	PS 1309- 6-o	110 409 01
PC1309- 8-m	127 909 01	PC1309- 8-tm	137 509 01	PS 1309- 8-m	105 909 01	PS 1309- 8-o	110 909 01
PC1313- 7-m	127 405 01	PC1313- 7-tm	137 005 01	PS 1313- 7-m	105 405 01	PS 1313- 7-o	110 405 01
PC1313-10-m	127 905 01	PC1313-10-tm	137 505 01	PS 1313-10-m	105 905 01	PS 1313-10-o	110 905 01
PC1809- 6-m	127 410 01	PC1809- 6-tm	137 010 01	PS 1809- 6-m	105 410 01	PS 1809- 6-o	110 410 01
PC1809- 8-m	127 910 01	PC1809- 8-tm	137 510 01	PS 1809- 8-m	105 910 01	PS 1809- 8-o	110 910 01
PC 1811-6f-m	127 414 01	PC 1811-6f-tm	137 014 01	PS 1811-6f-m	105 414 01	PS 1811- 6f-o	110 414 01
PC 1811-8f-m	127 914 01	PC 1811-8f-tm	137 514 01	PS 1811-8f-m	105 914 01	PS 1811- 8f-o	110 914 01
PC 1811-13f-m	128 414 01	PC 1811-13f-tm	138 014 01	PS 1811-13f-m	104 414 01	PS 1811-13f-o	109 414 01
PC1811- 9-m	127 406 01	PC1811- 9-tm	137 006 01	PS 1811- 9-m	105 406 01	PS 1811- 9-o	110 406 01
PC1811-11-m	127 906 01	PC1811-11-tm	137 506 01	PS 1811-11-m	105 906 01	PS 1811-11-o	110 906 01
PC1811-16-m	128 406 01	PC1811-16-tm	138 006 01	PS 1811-16-m	104 406 01	PS 1811-16-o	109 406 01
PC1818- 6f-m	127 413 01	PC1818- 6f-tm	137 013 01	PS 1818- 6f-m	105 413 01	PS 1818- 6f-o	110 413 01
PC1818- 8f-m	127 913 01	PC1818- 8f-tm	137 513 01	PS 1818- 8f-m	105 913 01	PS 1818- 8f-o	110 913 01
PC1818-13f-m	128 413 01	PC1818-13f-tm	138 013 01	PS 1818-13f-m	104 413 01	PS 1818-13f-o	109 413 01
PC1818- 9-m	127 407 01	PC1818- 9-tm	137 007 01	PS 1818- 9-m	105 407 01	PS 1818- 9-o	110 407 01
PC1818-11-m	127 907 01	PC1818-11-tm	137 507 01	PS 1818-11-m	105 907 01	PS 1818-11-o	110 907 01
PC1818-16-m	128 407 01	PC1818-16-tm	138 007 01	PS 1818-16-m	104 407 01	PS 1818-16-o	109 407 01
PC2518- 6f-m	127 411 01	PC2518- 6f-tm	137 011 01	PS 2518- 6f-m	105 411 01	PS 2518- 6f-o	110 411 01
PC2518- 8f-m	127 911 01	PC2518- 8f-tm	137 511 01	PS 2518- 8f-m	105 911 01	PS 2518- 8f-o	110 911 01
PC2518-13f-m	128 411 01	PC2518-13f-tm	138 011 01	PS 2518-13f-m	104 411 01	PS 2518-13f-o	109 411 01
PC2518- 9-m	127 408 01	PC2518- 9-tm	137 008 01	PS 2518- 9-m	105 408 01	PS 2518- 9-o	110 408 01
PC2518-11-m	127 908 01	PC2518-11-tm	137 508 01	PS 2518-11-m	105 908 01	PS 2518-11-o	110 908 01
PC2518-16-m	128 408 01	PC2518-16-tm	138 008 01	PS 2518-16-m	104 408 01	PS 2518-16-o	109 408 01
PC2518-21-m	128 908 01	PC2518- 21-tm	138 508 01	PS 2518- 21-m	104 908 01	PS 2518-21-o	109 908 01
PC3625-11-m	127 412 01	PC3625-11-tm	137 012 01	PS 3625-11-m	105 412 01	PS 3625-11-o	110 412 01
PC3625-16-m	127 912 01	PC3625-16-tm	137 512 01	PS 3625-16-m	105 912 01	PS 3625-16-o	110 912 01

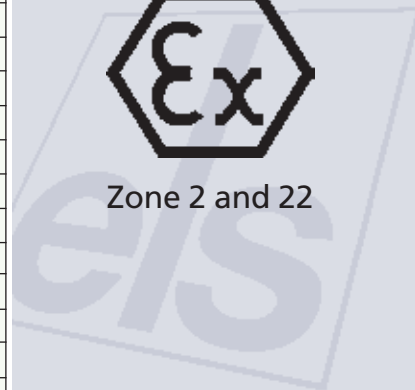
► **HF empty enclosures**
with electromagnetic
screening



■ Tested and approved



Zone 2 and 22



Base **grey**
Cover **transparent**
in **Polystyrene**

with **metric** pre-punched
knockouts

without **metric**
pre-punched knockouts

Type **Order-Ref.** **Type** **Order-Ref.** **Dimensions in mm**

Type	Order-Ref.	Type	Order-Ref.	Dimensions in mm
				52 x 50 x 35
				65 x 50 x 35
PS 77- 6-tm	106 001 01	PS 77- 6-to	111 001 01	65 x 65 x 57
PS 77- 8-tm	106 501 01	PS 77- 8-to	111 501 01	65 x 65 x 81
PS 97- 6-tm	106 002 01	PS 97- 6-to	111 002 01	94 x 65 x 57
PS 97- 8-tm	106 502 01	PS 97- 8-to	111 502 01	94 x 65 x 81
PS 99- 6-tm	106 003 01	PS 99- 6-to	111 003 01	94 x 94 x 57
PS 99- 8-tm	106 503 01	PS 99- 8-to	111 503 01	94 x 94 x 81
PS 1111- 7-tm	106 004 01	PS 1111- 7-to	111 004 01	110 x 110 x 66
PS 1111- 9-tm	106 504 01	PS 1111- 9-to	111 504 01	110 x 110 x 90
PS 1309- 6-tm	106 009 01	PS 1309- 6-to	111 009 01	130 x 94 x 57
PS 1309- 8-tm	106 509 01	PS 1309- 8-to	111 509 01	130 x 94 x 81
PS 1313- 7-tm	106 005 01	PS 1313- 7-to	111 005 01	130 x 130 x 75
PS 1313-10-tm	106 505 01	PS 1313-10-to	111 505 01	130 x 130 x 99
PS 1809- 6-tm	106 010 01	PS 1809- 6-to	111 010 01	180 x 94 x 57
PS 1809- 8-tm	106 510 01	PS 1809- 8-to	111 510 01	180 x 94 x 81
PS 1811- 6f-tm	106 014 01	PS 1811- 6f-to	111 014 01	180 x 110 x 63
PS 1811- 8f-tm	106 514 01	PS 1811- 8f-to	111 514 01	180 x 110 x 84
PS 1811-13f-tm	107 014 01	PS 1811-13f-to	112 014 01	180 x 110 x 137
PS 1811- 9-tm	106 006 01	PS 1811- 9-to	111 006 01	180 x 110 x 90
PS 1811-11-tm	106 506 01	PS 1811-11-to	111 506 01	180 x 110 x 111
PS 1811-16-tm	107 006 01	PS 1811-16-to	112 006 01	180 x 110 x 165
PS 1818- 6f-tm	106 013 01	PS 1818- 6f-to	111 013 01	182 x 180 x 63
PS 1818- 8f-tm	106 513 01	PS 1818- 8f-to	111 513 01	182 x 180 x 84
PS 1818-13f-tm	107 013 01	PS 1818-13f-to	112 013 01	182 x 180 x 137
PS 1818- 9-tm	106 007 01	PS 1818- 9-to	111 007 01	182 x 180 x 90
PS 1818-11-tm	106 507 01	PS 1818-11-to	111 507 01	182 x 180 x 111
PS 1818-16-tm	107 007 01	PS 1818-16-to	112 007 01	182 x 180 x 165
PS 2518- 6f-tm	106 011 01	PS 2518- 6f-to	111 011 01	254 x 180 x 63
PS 2518- 8f-tm	106 511 01	PS 2518- 8f-to	111 511 01	254 x 180 x 84
PS 2518-13f-tm	107 011 01	PS 2518-13f-to	112 011 01	254 x 180 x 137
PS 2518- 9-tm	106 008 01	PS 2518- 9-to	111 008 01	254 x 180 x 90
PS 2518-11-tm	106 508 01	PS 2518-11-to	111 508 01	254 x 180 x 111
PS 2518-16-tm	107 008 01	PS 2518-16-to	112 008 01	254 x 180 x 165
PS 2518-21-tm	107 508 01	PS 2518-21-to	112 508 01	254 x 180 x 215
PS 3625-11-tm	106 012 01	PS 3625-11-to	111 012 01	360 x 254 x 111
PS 3625-16-tm	106 512 01	PS 3625-16-to	111 512 01	360 x 254 x 165

NG-Enclosures IP 65

Shining Appearance.

The new NG-enclosures made by Spelsberg



We have expanded our 500 enclosure types by 14 new enclosure types with different cover heights in a noble and highly brilliant appearance.

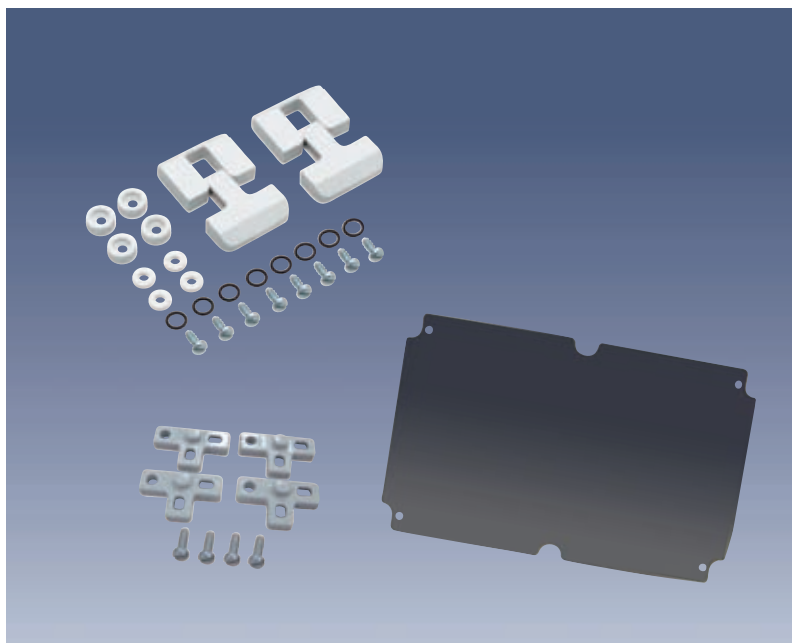
These new standard enclosures series „NG“ are available in two materials of **PC (polycarbonate)** and **ABS (acrylonitrile-butadiene-styrene)**

Take out Even change to customised enclosures.

We offer these special solutions quickly and in a professional way in cooperation with our technical sales and technical engineering department. Of course, as always you can trust in the Spelsberg good service.



- Two different materials:
ABS (acrylnitril-butadien-styrol) and PC (polycarbonate)
- IP 65
- RAL 7035
- smooth external walls
- Cover grey or transparent
- UL-approval in preparation
- Can be delivered with comprehensive accessory parts



Summary

NG-Empty enclosures und accessories

Box and cover: PC, grey

Type	Order-Nr.	length	width	height
NG PC 55-4-o	148 401 01	52	50	35
NG PC 75-4-o	148 402 01	65	50	35
NG PC 88-6-o	148 403 01	82	80	55
NG PC 88-9-o	148 903 01	82	80	85
NG PC 1208-6-o	148 404 01	120	80	55
NG PC 1208-9-o	148 904 01	120	80	85
NG PC 1212-6-o	148 405 01	122	120	55
NG PC 1212-8-o	148 705 01	122	120	75
NG PC 1212-9-o	148 805 01	122	120	85
NG PC 1212-11-o	148 905 01	122	120	105
NG PC 1608-6-o	148 406 01	160	80	55
NG PC 1608-9-o	148 906 01	160	80	85
NG PC 1612-9-o	148 407 01	160	120	90
NG PC 2012-8-o	148 408 01	200	120	75
NG PC 2012-9-o	148 908 01	200	120	90
NG PC 2015-8-o	148 409 01	200	150	75
NG PC 2412-10-o	148 410 01	240	120	100
NG PC 2416-9-o	148 411 01	240	160	90
NG PC 2416-12-o	148 911 01	240	160	120
NG PC 2516-9-o	148 412 01	250	160	90
NG PC 2516-12-o	148 912 01	250	160	120
NG PC 3023-9-o	148 413 01	300	230	85
NG PC 3023-11-o	148 913 01	300	230	110
NG PC 3620-15-o	148 414 01	360	200	150

Box: PC, grey, Cover: PC, transparent

Type	Order-Nr.	length	width	height
NG PC 55-4-to	149 001 01	52	50	35
NG PC 75-4-to	149 002 01	65	50	35
NG PC 88-6-to	149 003 01	82	80	55
NG PC 88-9-to	149 503 01	82	80	85
NG PC 1208-6-to	149 004 01	120	80	55
NG PC 1208-9-to	149 504 01	120	80	85
NG PC 1212-6-to	149 005 01	122	120	55
NG PC 1212-8-to	149 505 01	122	120	75
NG PC 1212-9-to	149 605 01	122	120	85
NG PC 1212-11-to	149 705 01	122	120	105
NG PC 1608-6-to	149 006 01	160	80	55
NG PC 1608-9-to	149 506 01	160	80	85
NG PC 1612-9-to	149 007 01	160	120	90
NG PC 2012-8-to	149 008 01	200	120	75
NG PC 2012-9-to	149 508 01	200	120	90
NG PC 2015-8-to	149 009 01	200	150	75
NG PC 2412-10-to	149 010 01	240	120	100
NG PC 2416-9-to	149 011 01	240	160	90
NG PC 2416-12-to	149 511 01	240	160	120
NG PC 2516-9-to	149 012 01	250	160	90
NG PC 2516-12-to	149 512 01	250	160	120
NG PC 3023-9-to	149 013 01	300	230	85
NG PC 3023-11-to	149 513 01	300	230	110
NG PC 3620-15-to	149 014 01	360	200	150

Box and cover: ABS, grey

Type	Order-Nr.	length	width	height
NG ABS 55-4-o	118 401 01	52	50	35
NG ABS 75-4-o	118 402 01	65	50	35
NG ABS 88-6-o	118 403 01	82	80	55
NG ABS 88-9-o	118 903 01	82	80	85
NG ABS 1208-6-o	118 404 01	120	80	55
NG ABS 1208-9-o	118 904 01	120	80	85
NG ABS 1212-6-o	118 405 01	122	120	55
NG ABS 1212-8-o	118 705 01	122	120	75
NG ABS 1212-9-o	118 805 01	122	120	85
NG ABS 1212-11-o	118 905 01	122	120	105
NG ABS 1608-6-o	118 406 01	160	80	55
NG ABS 1608-9-o	118 906 01	160	80	85
NG ABS 1612-9-o	118 407 01	160	120	90
NG ABS 2012-8-o	118 408 01	200	120	75
NG ABS 2012-9-o	118 908 01	200	120	90
NG ABS 2015-8-o	118 409 01	200	150	75
NG ABS 2412-10-o	118 410 01	240	120	100
NG ABS 2416-9-o	118 411 01	240	160	90
NG ABS 2416-12-o	118 911 01	240	160	120
NG ABS 2516-9-o	118 412 01	250	160	90
NG ABS 2516-12-o	118 912 01	250	160	120
NG ABS 3023-9-o	118 413 01	300	230	85
NG ABS 3023-11-o	118 913 01	300	230	110
NG ABS 3620-15-o	118 414 01	360	200	150

Box: ABS, grey, Cover: Polycarbonate, transparent

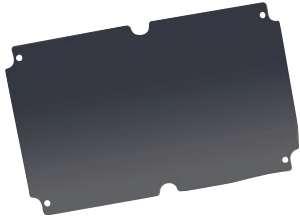
Type	Order-Nr.	length	width	height
NG ABS 55-4-to	119 001 01	52	50	35
NG ABS 75-4-to	119 002 01	65	50	35
NG ABS 88-6-to	119 003 01	82	80	55
NG ABS 88-9-to	119 503 01	82	80	85
NG ABS 1208-6-to	119 004 01	120	80	55
NG ABS 1208-9-to	119 504 01	120	80	85
NG ABS 1212-6-to	119 005 01	122	120	55
NG ABS 1212-8-to	119 505 01	122	120	75
NG ABS 1212-9-to	119 605 01	122	120	85
NG ABS 1212-11-to	119 705 01	122	120	105
NG ABS 1608-6-to	119 006 01	160	80	55
NG ABS 1608-9-to	119 506 01	160	80	85
NG ABS 1612-9-to	119 007 01	160	120	90
NG ABS 2012-8-to	119 008 01	200	120	75
NG ABS 2012-9-to	119 508 01	200	120	90
NG ABS 2015-8-to	119 009 01	200	150	75
NG ABS 2412-10-to	119 010 01	240	120	100
NG ABS 2416-9-to	119 011 01	240	160	90
NG ABS 2416-12-to	119 511 01	240	160	120
NG ABS 2516-9-to	119 012 01	250	160	90
NG ABS 2516-12-to	119 512 01	250	160	120
NG ABS 3023-9-to	119 013 01	300	230	85
NG ABS 3023-11-to	119 513 01	300	230	110
NG ABS 3620-15-to	119 014 01	360	200	150

Description

Order-Nr.

Mounting plate

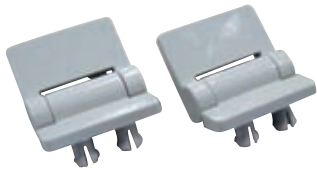
Made of Isolant (Hard Paper, Pertinax)



	dimensions	enclosure type	
NG MPI-75	58 x 43 x 1,5 mm	NG 75	185 002 01
NG MPI-88	73 x 71 x 1,5 mm	NG 88	185 003 01
NG MPI-1208	110 x 71 x 1,5 mm	NG 1208	185 004 01
NG MPI-1212	112 x 110 x 2,0 mm	NG 1212	185 005 01
NG MPI-1608	150 x 71 x 2,0 mm	NG 1608	185 006 01
NG MPI-1612	149 x 110 x 2,0 mm	NG 1612	185 007 01
NG MPI-2012	189 x 109 x 2,0 mm	NG 2012	185 008 01
NG MPI-2412	230 x 110 x 2,5 mm	NG 2412	185 010 01
NG MPI-2015	190 x 140 x 2,5 mm	NG 2015	185 009 01
NG MPI-2416	230 x 150 x 2,5 mm	NG 2416	185 011 01
NG MPI-2516	240 x 150 x 2,5 mm	NG 2516	185 014 01
NG MPI-3023	290 x 220 x 2,5 mm	NG 3023	185 012 01
NG MPI-3620	348 x 189 x 2,5 mm	NG 3620	185 013 01

Hinge kit

Made from plastic, for all NG enclosures, except NG55, NG75 and NG3620.
Used to convert Lid of enclosure into a door.

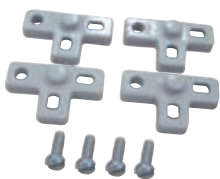


NG ASS
Set = 2 pieces

180 001 01

Mounting feet

Made of plastic, for all NG enclosures except NG 55, NG 75 and NG 3620.
Used for external fixing of enclosure to work surface.

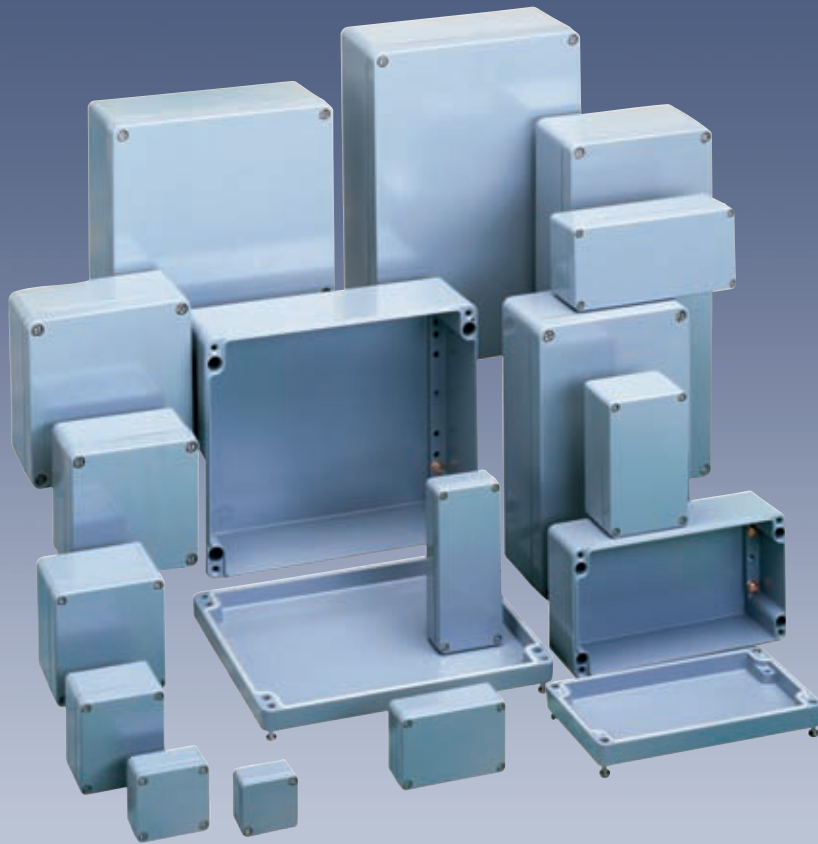


NG ABL
Set = 4 pieces

184 001 01

Aluminium enclosures IP 66

Tough and Resistant.



- IP 66
- Aluminium Al Si 12
- Corrosion protection by powder coating, silver-grey RAL 7001
- High chemical resistance



▲ **Application example:**
Special aluminium design

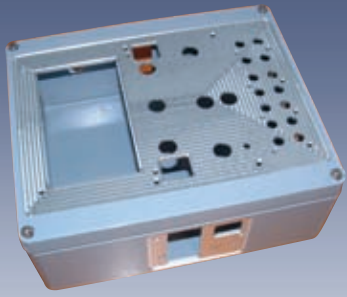


▲ External fixing lugs allow convenient wall fixing



▲ Mounting plates





◀ **Application example:**
Special aluminium design



- High protection against magnetic interference
- 16 standard enclosure sizes
- Screened enclosures available on enquiry

Type	Order-Ref.	Dimensions
AL 55-3	150 001 01	50 x 45 x 30 mm
AL 66-3	150 002 01	64 x 58 x 34 mm
AL 1006-3	150 003 01	98 x 64 x 34 mm
AL 1506-3	150 004 01	150 x 64 x 34 mm
AL 88-6	150 005 01	80 x 75 x 57 mm
AL 1308-6	150 006 01	125 x 80 x 57 mm
AL 1808-6	150 007 01	175 x 80 x 57 mm
AL 1010-8	150 008 01	100 x 100 x 80 mm
AL 1212-8	150 009 01	122 x 120 x 80 mm
AL 2212-8	150 010 01	220 x 120 x 80 mm
AL 1616-9	150 011 01	160 x 160 x 90 mm
AL 2616-9	150 012 01	260 x 160 x 90 mm
AL 3616-9	150 013 01	360 x 160 x 90 mm
AL 2023-11	150 014 01	200 x 230 x 110 mm
AL 2823-11	150 015 01	280 x 230 x 110 mm
AL 3323-11	150 016 01	330 x 230 x 110 mm

Tested and approved



Register of Shipping of the USSR Nr. 1979 07-27



Det Norske Veritas F.le No. 828 I DEERe



Lloyd's Register of Shipping Prof. Nr. 306 203



Germanischer Lloyd Prüf-Nr. 69263 HML



Underwriters Laboratories Inc. Prüf-Nr. F 66411



www.box-finder.com

You can find all dimensional drawings on the internet under www.spelsberg.de

With immediate effect you can search for and find the enclosure to suit you, on the internet under www.box-finder.com

Günther Spelsberg GmbH + Co. KG

Headquarters

Im Gewerbepark 1, 58579 Schalksmühle,
Germany
P.B. 15 20, 58571 Schalksmühle,
Germany
Phone: +49 (0) 23 55 / 8 92-155
Fax: +49 (0) 23 55 / 8 92-755
e-mail: info@spelsberg.de
internet: www.spelsberg.de

Plant Buttstädt

Vor dem Lohe 3, D-99628 Buttstädt,
Germany
P.B. 30, 99627 Buttstädt,
Germany
Phone: +49 (0) 3 63 73 / 98-400
Fax: +49 (0) 3 63 73 / 98-499