

## Cable Distribution Cabinets

Size 00/845  
Size 0/845 – 0/1355  
Size 1/845 – 1/1355  
Size 2/845 – 2/1355

with asymmetrical doors  
Size 1/845/1005/1355  
Size 2/845/1005/1355



■ Cable Distribution Cabinets from System GEYER are suitable for a very wide range of applications. Their modular design makes it possible. There are four widths, three heights and five different pedestals available.



The versions available with asymmetrical doors mean that many different applications could be covered. They are regularly used for many telecommunications

uses, broad band cable networks and also energy metering applications.

### Features

- Various applications possible due to modular system
- 4 sizes, 3 heights, 5 kinds of pedestals
- Types with asymmetric doors

# Cable Distribution Cabinets

System  
**GEYER**

## Advantages

- Enclosures in modern ribbed design avoids undesired poster
- Easy exchange of damaged parts
- Labyrinthic slots for life part protection
- Pedestal with standard site opening
- Locking handle with double locking system, one locking cylinder included
- Door opening angle 180°
- Doors with 3-point locking system



modern  
ribbed surface  
  
easy exchange  
if parts get damaged

expected break area in  
case of crash



Various types of  
pedestals, e.g.  
flood type, for  
concrete mounting  
or wall pedestal.

Flush fitted locking  
device made of high  
impact material.

On request one or two  
locking cylinders.

Cabinets size 2 on  
request both doors  
with separate locking  
handle.



Door opening angle  
180° (90° when 2  
cabinets are fitted  
next to each other)

Doors can be  
unhinged easily

Door hinge left and  
right possible without  
alteration



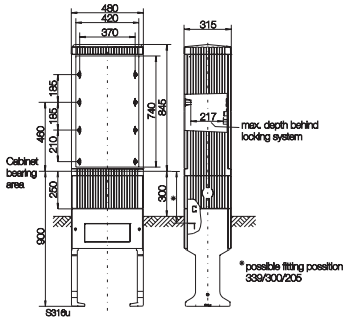
Opening in  
the side on request



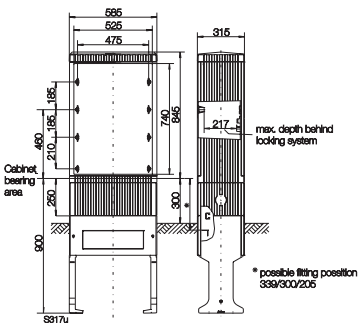
# Distribution Cabinets

System **GEYER** Product range

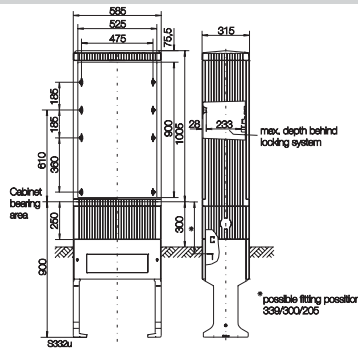
Size 00 / Height 845



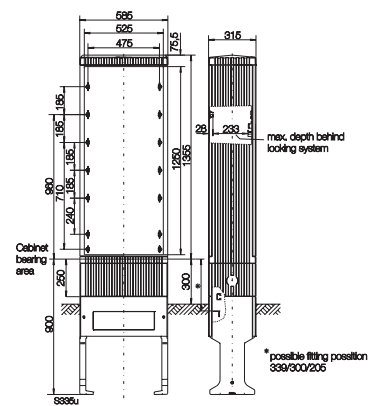
Size 0 / Height 845



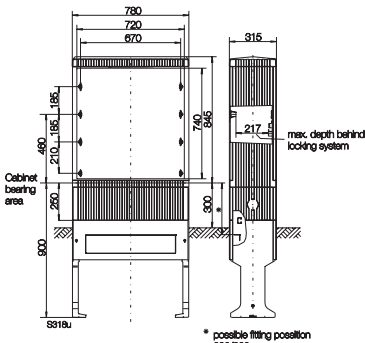
Height 1005



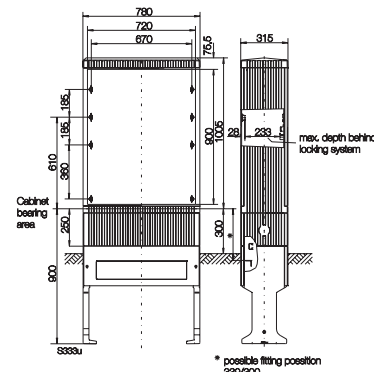
Height 1355



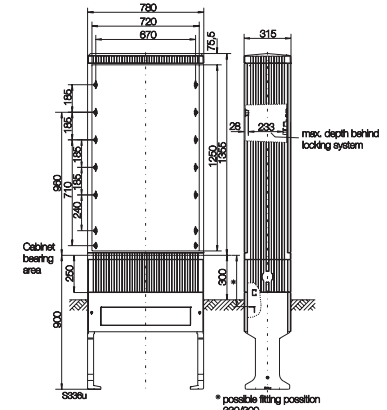
Size 1 / Height 845



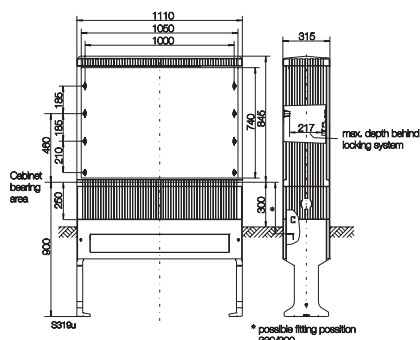
Height 1005



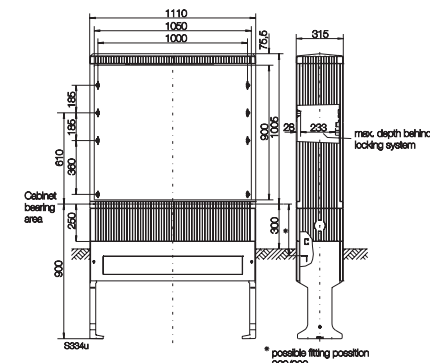
Height 1355



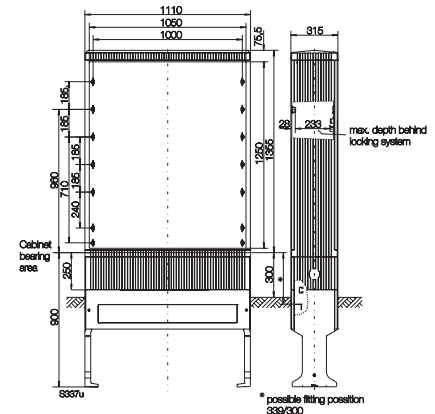
Size 2 / Height 845



Height 1005

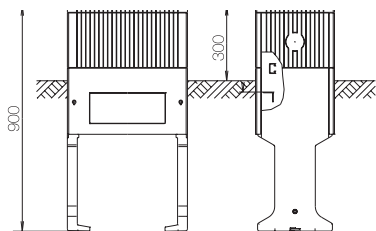
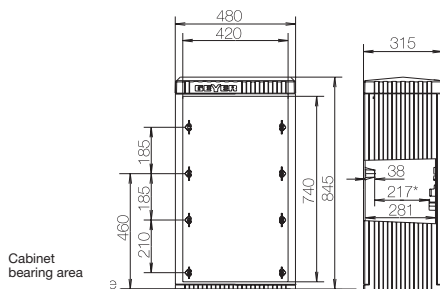


Height 1355



# Cable Distribution Cabinets

System **GEYER** Size 00/Height 845



| Type   | Reference-No.    |
|--|------------------|
| <b>Empty cabinet, single door</b>  | <b>SL 084</b>    |
| <b>Cabinet with mounting plate, single door</b><br>H x W x D (mm) 750 x 358 x 6 (PVC)                              | <b>SL 084 P</b>  |
| <b>Cabinet with busbar-system, single door</b><br>E-Cu 30 x 6 mm (4-wire)<br>max. 4 built-in units of 100 mm width | <b>SK 084 GA</b> |
| <b>Standard pedestal (kit) size 00 (900 mm)</b>  | <b>SX 004</b>    |

Proposed accessories: for CDC size 00 filling compound 2 x **95075**, ground grid **69756** or ground grid with adjustment rods **69769**

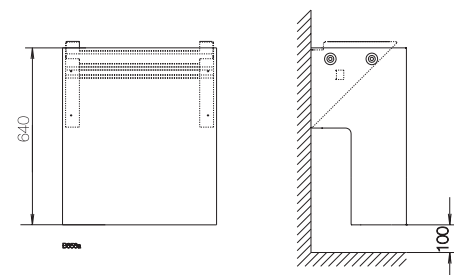
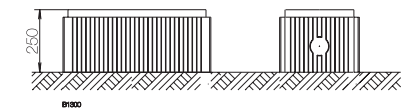
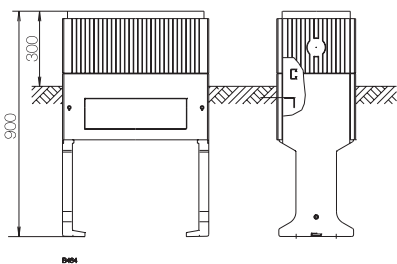
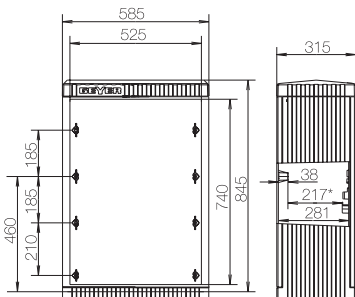
\* Mounting depth in locking area

**Note:**

CDCs with busbar systems not being fully fitted with built-in units it is recommended to cover these empty spaces with a protection cover. For built-in units and protection-covers see page H3-41.

# Cable Distribution Cabinets

System **GEYER** Size 0/Height 845



| Type | Reference-No. |
|------|---------------|
|------|---------------|

**Empty cabinet, single door** **SL 080**

**Cabinet with mounting plate, single door** **SL 080 P**  
H x W x D (mm) 750 x 500 x 6 (PVC)

**Cabinet with busbar-system, single door** **SK 080 GA**  
E-Cu 30 x 6 mm (4-wire)  
max. 5 built-in units of 100 mm width

**Standard pedestal (kit) size 0 (900 mm)** **SX 005**

**Higher pedestal flood type (kit) size 0,** **SX 030**  
(height 1125 mm)

**Pedestal for concrete mounting size 0** **SX 014**

**Wall pedestal size 0 with coverplate** **SX 011**  
and 4 cable entries with stepped gasket  
for cable 50–185 mm<sup>2</sup>

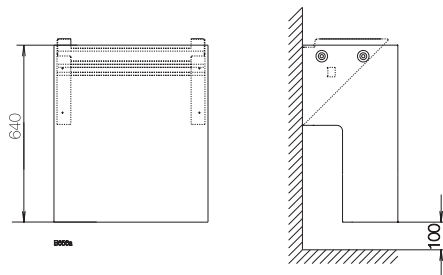
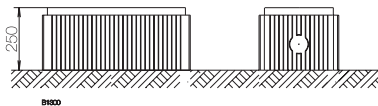
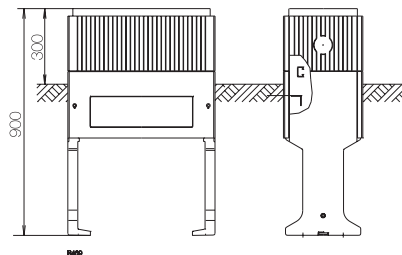
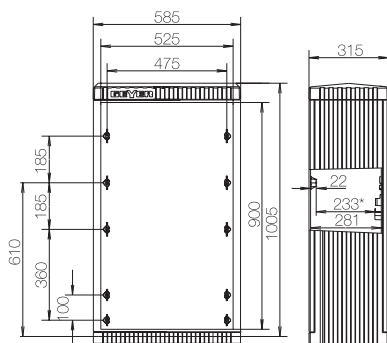
Proposed accessories: for CDC size 0 filling compound 2 x 95075, ground grid 69757 or ground grid with adjustment rods 69770

**Note:**  
CDCs with busbar systems not being fully fitted with built-in units it is recommended to cover these empty spaces with a protection cover. For built-in units and protection-covers see page H3-41.

\* Mounting depth in locking area

# Cable Distribution Cabinets

System **GEYER** Size 0/Height 1005



| Type | Reference-No. |
|------|---------------|
|------|---------------|

**Empty cabinet, single door** **SL 100**

**Cabinet with mounting plate, single door** **SL 100 P**  
H x W x D (mm) 895 x 491 x 6 (PVC)

**Cabinet with busbar-system, single door** **SK 100 GA**  
E-Cu 30 x 6 mm (4-wire)  
max. 4 built-in units of 100 mm width

**Standard pedestal (kit) size 0 (900 mm)** **SX 005**

**Higher pedestal flood type (kit) size 0, (height 1125 mm)** **SX 030**

**Pedestal for concrete mounting size 0** **SX 014**

**Wall pedestal size 0 with coverplate and 4 cable entries with stepped gasket for cable 50–185 mm<sup>2</sup>** **SX 011**

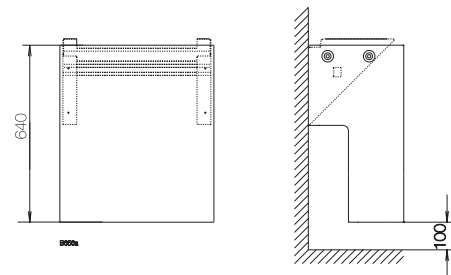
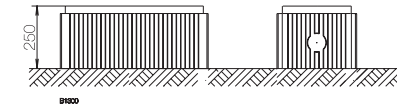
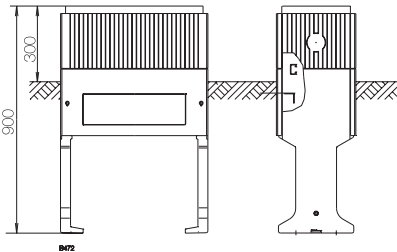
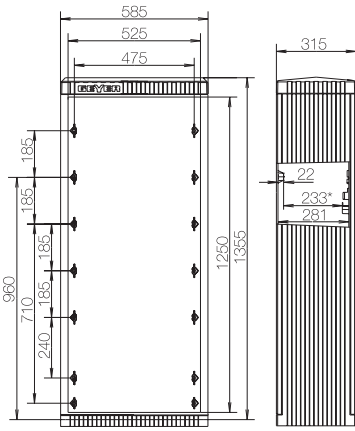
Proposed accessories: for CDC size 0 filling compound 2 x **95075**, ground grid **69757** oder ground grid with adjustment rods **69770**

\* Mounting depth in locking area

**Note:**  
CDCs with busbar systems not being fully fitted with built-in units it is recommended to cover these empty spaces with a protection cover. For built-in units and protection-covers see page H3-41.

# Cable Distribution Cabinets

System **GEYER** Size 0/Height 1355



| Type | Reference-No. |
|------|---------------|
|------|---------------|

**Empty cabinet, single door** **SL 130**

**Cabinet with mounting plate, single door** **SL 130 P**  
H x W x D (mm) 1245 x 491 x 6 (PVC)

**Standard pedestal (kit) size 0 (900 mm)** **SX 005**

**Higher pedestal flood type (kit) size 0,** **SX 030**  
(height 1125 mm)

**Pedestal for concrete mounting size 0** **SX 014**

**Wall pedestal size 0 with coverplate** **SX 011**  
and 4 cable entries with stepped gasket  
for cable 50–185 mm<sup>2</sup>

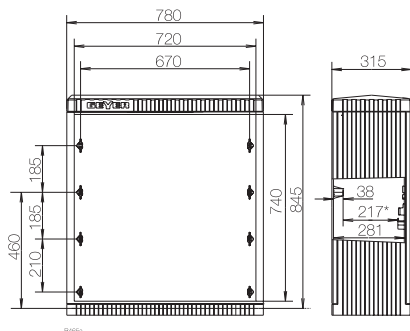
Proposed accessories: for CDC size 0 filling compound 2 x 95075, ground grid 69757 or ground grid with adjustment rods 69770

**Note:**  
CDCs with busbar systems not being fully fitted with built-in units it is recommended to cover these empty spaces with a protection cover. For built-in units and protection-covers see page H3-41.

\* Mounting depth in locking area

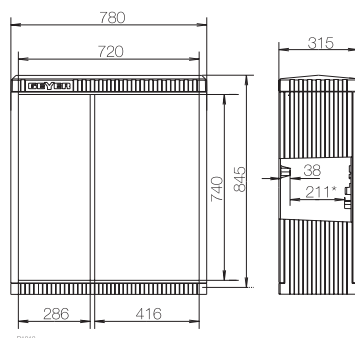
# Cable Distribution Cabinets

System **GEYER** Size 1/Height 845

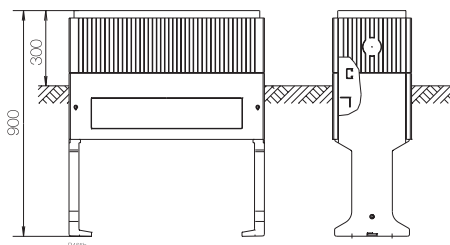


| Type | Reference-No. |
|------|---------------|
|------|---------------|

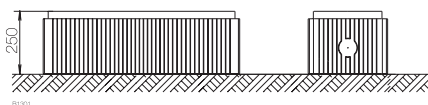
- Empty cabinet, single door** **SL 081**
- Cabinet with mounting plate, single door** **SL 081 P**  
HxWxD (mm) 750x658x6 (PVC)
- Cabinet with busbar-system, single door** **SK 081 GA**  
E-Cu 30 x 6 mm (4-wire)  
max. 7 built-in units of 100 mm width



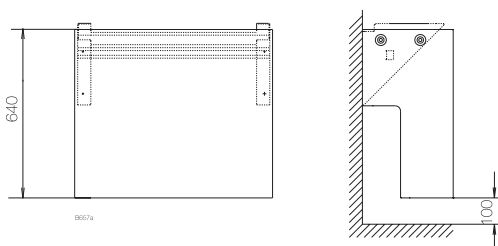
- CDC with asymmetrical doors and mounting plate** **SL 081 V**  
750 x 658 x 6 mm (PVC)  
on request:  
fixing onto a pedestal for temporary outdoor installation (SX 009)



- Standard pedestal (kit) size 1 (900 mm)** **SX 006**
- Higher pedestal flood type (kit) size 1, (height 1125 mm)** **SX 031**



- Pedestal for concrete mounting size 1** **SX 015**



- Wall pedestal size 1 with coverplate and 6 cable entries with stepped gasket for cable 50–185 mm<sup>2</sup>** **SX 012**

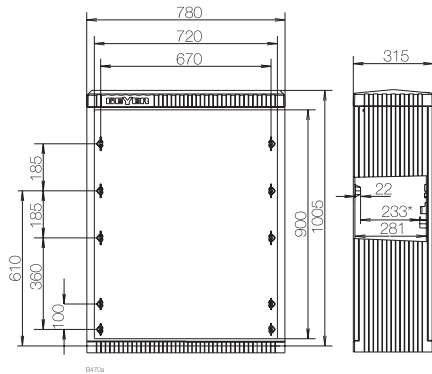
Proposed accessories: for CDC size 1 filling compound 3 x **95075**, ground grid **69758** or ground grid with adjustment rods **69771**

\* Mounting depth in locking area

**Note:**  
CDCs with busbar systems not being fully fitted with built-in units it is recommended to cover these empty spaces with a protection cover. For built-in units and protection-covers see page H3-41.

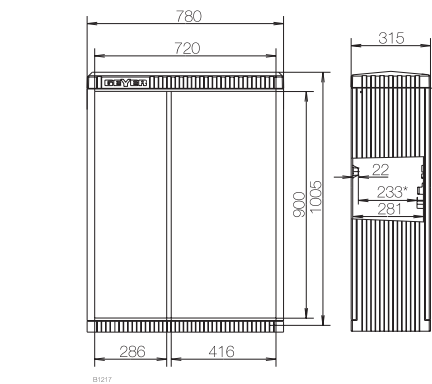
# Cable Distribution Cabinets

System **GEYER** Size 1/Height 1005

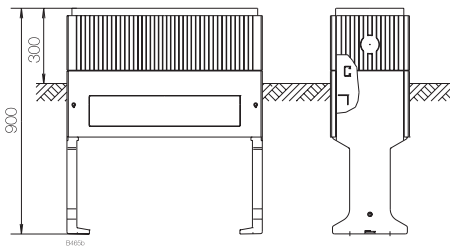


| Type | Reference-No. |
|------|---------------|
|------|---------------|

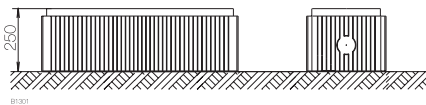
- Empty cabinet, single door** **SL 101**
- Cabinet with mounting plate, single door** **SL 101 P**  
H x W x D (mm) 895 x 686 x 6 (PVC)
- Cabinet with busbar-system, single door** **SK 101 GA**  
E-Cu 30 x 6 mm (4-wire)  
max. 7 built-in units of 100 mm width



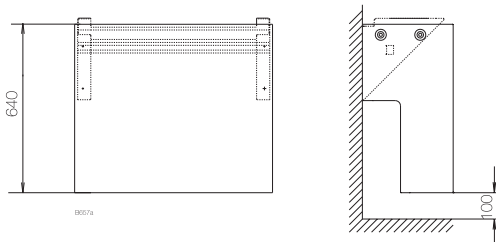
- CDC with asymmetrical doors and mounting plate** **SL 101 V**  
H x W x D (mm) 895 x 686 x 6 (PVC)  
on request:  
fixing onto a pedestal for temporary outdoor installation (SX 009)



- Standard pedestal (kit) size 1 (900 mm)** **SX 006**
- Higher pedestal flood type (kit) size 1, (height 1125 mm)** **SX 031**



- Pedestal for concrete mounting size 1** **SX 015**



- Wall pedestal size 1 with coverplate and 6 cable entries with stepped gasket for cable 50-185 mm<sup>2</sup>** **SX 012**

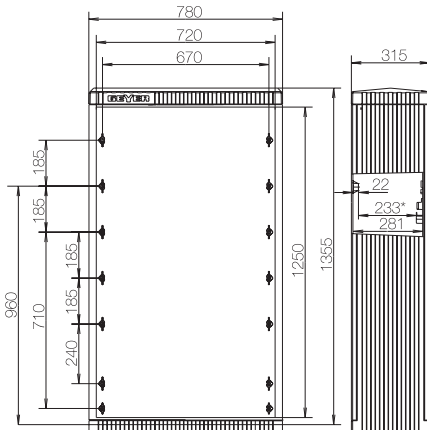
Proposed accessories: für CDC size 1 filling compound 3 x 95075, ground grid 69758 oder ground grid with adjustment rods 69771

**Note:**  
CDCs with busbar systems not being fully fitted with built-in units it is recommended to cover these empty spaces with a protection cover. For built-in units and protection-covers see page H3-41.

\* Mounting depth in locking area

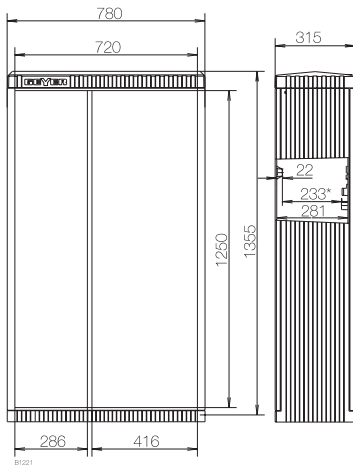
# Cable Distribution Cabinets

System **GEYER** Size 1/Height 1355

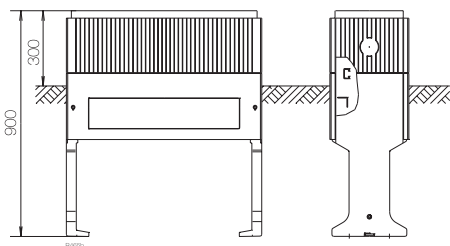


| Type | Reference-No. |
|------|---------------|
|------|---------------|

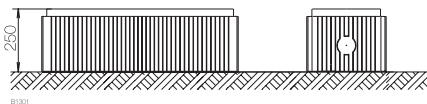
- Empty cabinet, single door** **SL 131**
- Cabinet with mounting plate, single door** **SL 131 P**  
H x W x D (mm) 1245 x 686 x 6 (PVC)



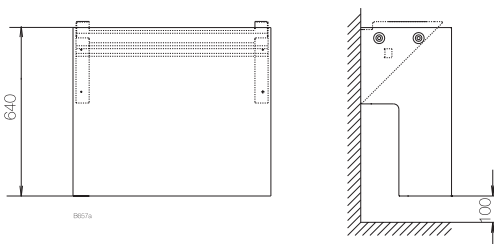
- CDC with asymmetrical doors and mounting plate** **SL 131 V**  
H x W x D (mm) 1245 x 686 x 6 (PVC)  
on request:  
fixing onto a pedestal for temporary outdoor installation (SX 009)



- Standard pedestal (kit) size 1 (900 mm)** **SX 006**
- Higher pedestal flood type (kit) size 1, (height 1125 mm)** **SX 031**



- Pedestal for concrete mounting size 1** **SX 015**



- Wall pedestal size 1 with coverplate and 6 cable entries with stepped gasket for cable 50–185 mm<sup>2</sup>** **SX 012**

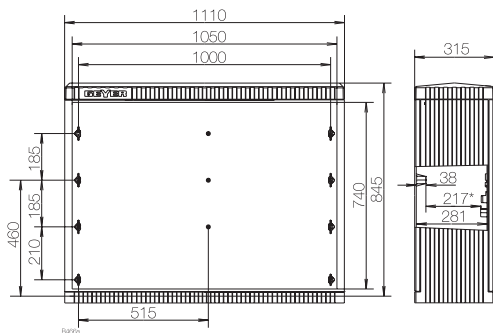
Proposed accessories: for CDC size 1 filling compound 3 x **95075**, ground grid **69758** or ground grid with adjustment rods **69771**

\* Mounting depth in locking area

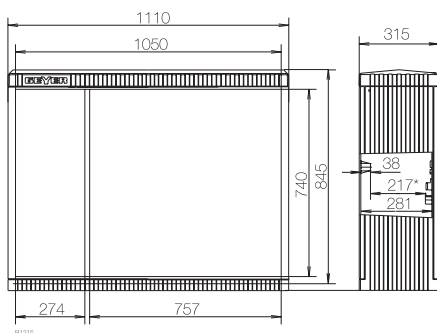
**Note:**  
CDCs with busbar systems not being fully fitted with built-in units it is recommended to cover these empty spaces with a protection cover. For built-in units and protection-covers see page H3-41.

# Cable Distribution Cabinets

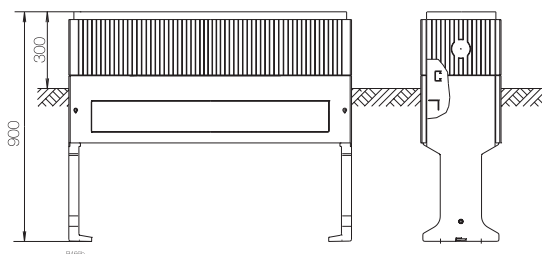
System **GEYER** Size 2/Height 845



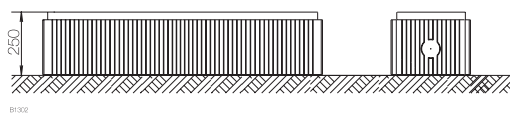
| Type  | Reference-No.    |
|---|------------------|
| <b>Empty cabinet, double door</b>   | <b>SL 082</b>    |
| <b>Cabinet with mounting plate, double door</b><br>H x W x D (mm) 750 x 988 x 6 (PVC)                               | <b>SL 082 P</b>  |
| <b>Cabinet with busbar-system, double door</b><br>E-Cu 30 x 8 mm (4-wire)<br>max. 10 built-in units of 100 mm width | <b>SK 082 GA</b> |



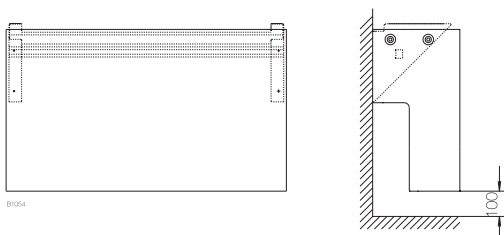
|  |                 |
|--|-----------------|
| <b>CDC with asymmetrical doors and mounting plate</b><br>H x W x D (mm) 750 x 988 x 6 (PVC)<br>on request:<br>fixing onto a pedestal for temporary outdoor installation (SX 010) | <b>SL 082 V</b> |
|--|-----------------|



|   |               |
|---|---------------|
| <b>Standard pedestal (kit) size 2 (900 mm)</b>                  | <b>SX 007</b> |
| <b>Higher pedestal flood type (kit) size 2 (height 1125 mm)</b> | <b>SX 032</b> |



|  |               |
|--|---------------|
| <b>Pedestal for concrete mounting size 2</b> | <b>SX 016</b> |
|--|---------------|



|   |               |
|---|---------------|
| <b>Wall pedestal size 2 with coverplate and 9 cable entries with stepped gasket for cable 50–185 mm<sup>2</sup></b> | <b>SX 013</b> |
|---|---------------|

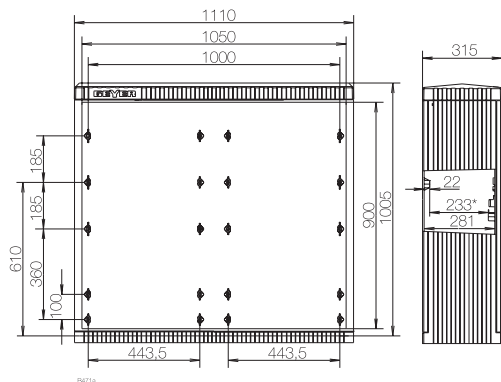
Proposed accessories: for CDC Size 2 filling compound 3 x **95075**, ground grid **69759** or ground grid with adjustment rods **69772**

**Note:**  
CDCs with busbar systems not being fully fitted with built-in units it is recommended to cover these empty spaces with a protection cover. For built-in units and protection-covers see page H3-41.

\* Mounting depth in locking area

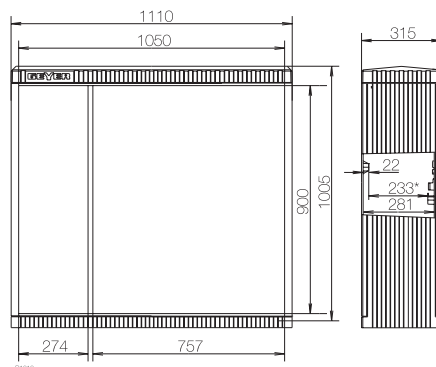
# Cable Distribution Cabinets

System **GEYER** Size 2/Height 1005

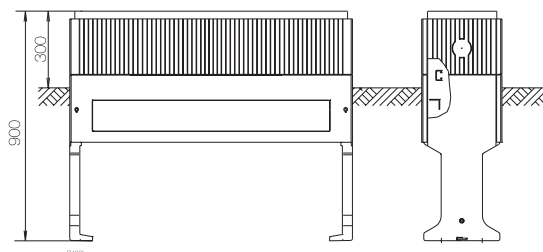


| Type | Reference-No. |
|------|---------------|
|------|---------------|

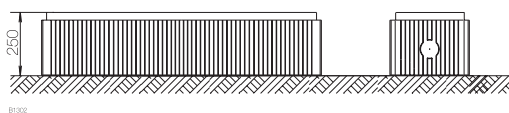
- Empty cabinet, double door** **SL 102**
- Cabinet with mounting plate, double door** **SL 102 P**  
H x W x D (mm) 895 x 1016 x 6 (PVC)
- Cabinet with busbar-system, double door** **SK 102 GA**  
E-Cu 30 x 8 mm (4-wire)  
max. 10 built-in units of 100 mm width



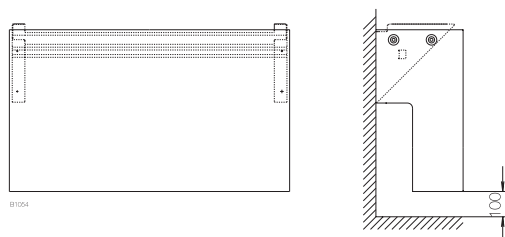
- CDC with asymmetrical doors and mounting plate** **SL 102 V**  
H x W x D (mm) 895 x 1016 x 6 (PVC)  
on request:  
fixing onto a pedestal for temporary outdoor installation (SX010)



- Standard pedestal (kit) size 2 (900 mm)** **SX 007**
- Higher pedestal flood type (kit) size 2 (height 1125 mm)** **SX 032**



- Pedestal for concrete mounting size 2** **SX 016**



- Wall pedestal size 2 with coverplate and 9 cable entries with stepped gasket for cable 50–185 mm<sup>2</sup>** **SX 013**

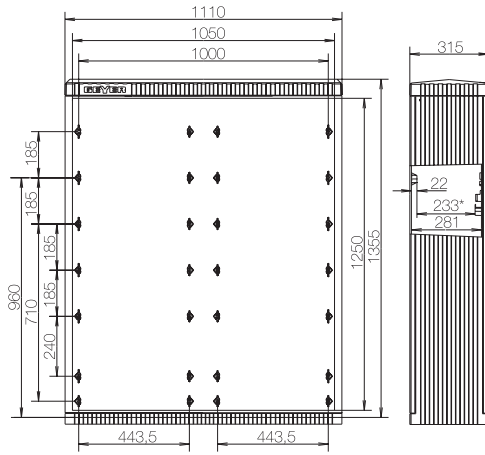
Proposed accessories: for CDC Size 2 filling compound 3 x **95075**, ground grid **69759** or ground grid with adjustment rods **69772**

\* Mounting depth in locking area

**Note:**  
CDCs with busbar systems not being fully fitted with built-in units it is recommended to cover these empty spaces with a protection cover. For built-in units and protection-covers see page H3-41.

# Cable Distribution Cabinets

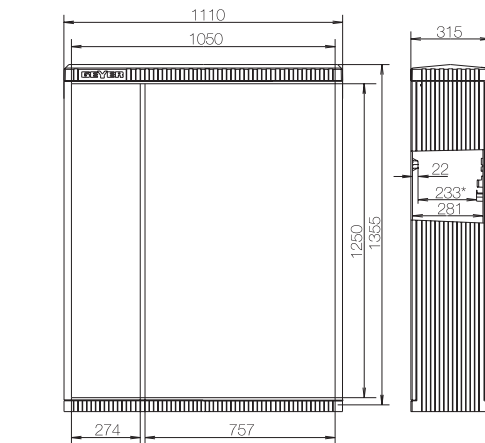
System **GEYER** Size 2/Height 1355



| Type | Reference-No. |
|------|---------------|
|------|---------------|

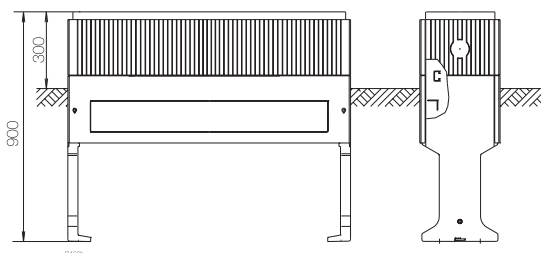
**Empty cabinet, double door** **SL 132**

**Cabinet with mounting plate, double door** **SL 132 P**  
H x W x D (mm) 1245 x 988 x 6 (PVC)



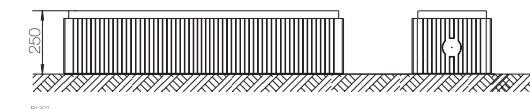
**CDC with asymmetrical doors and mounting plate** **SL 132 V**

H x W x D (mm) 1245 x 988 x 6 (PVC)  
on request:  
fixing onto a pedestal for temporary  
outdoor installation (SX 010)

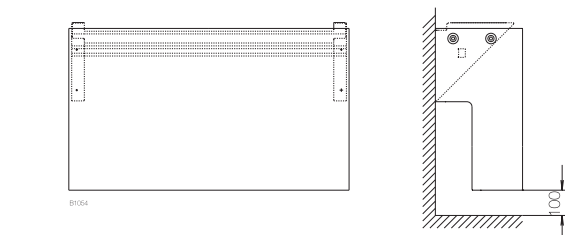


**Standard pedestal (kit) size 2 (900 mm)** **SX 007**

**Higher pedestal flood type (kit) size 2** **SX 032**  
(height 1125 mm)



**Pedestal for concrete mounting size 2** **SX 016**



**Wall pedestal size 2 with coverplate** **SX 013**

and 9 cable entries with stepped gasket  
for cable 50–185 mm<sup>2</sup>

Proposed accessories: for CDC Size 2 filling compound 3 x 95075, ground grid 69759 or ground grid with adjustment rods 69772

**Note:**  
CDCs with busbar systems not being fully fitted with built-in units it is recommended to cover these empty spaces with a protection cover. For built-in units and protection-covers see page H3-41.

\* Mounting depth in locking area

# Cable Distribution Cabinets

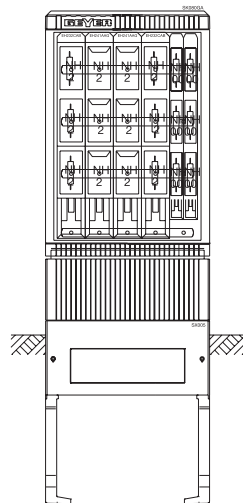
System  
**GEYER**

## Ordering example for Size 0/Height 845

5 Built-in units maximum

consisting of:

|  |           |
|--|-----------|
| 1 x Cabel distribution cabinet size 0 with busbar-system | SK 080 GA |
| 1 x Standard pedestal (kit) size 0 (900 mm)              | SX 005    |



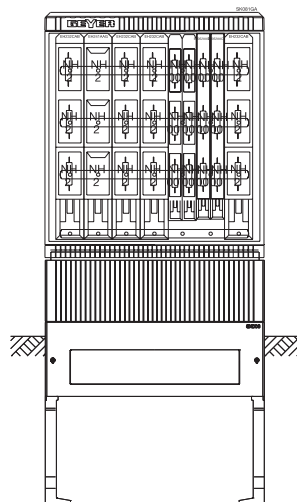
| Example                                      |            | required space |
|--|------------|----------------|
| 1 x HRC-fuse strip with disconnecter, size 2 |            | 1              |
| 2 x HRC-load fuse strip, size 2              | EH 241 AAG | 2              |
| 1 x HRC-fuse strip, size 2                   | EH 212 CAB | 1              |
| 1 x HRC-load fuse strip, size 00             | EH 041 CAD | 0,5            |
| 1 x HRC-fuse strip, size 00                  | EH 052 CAD | 0,5            |
| 1 x Adapter set with insulating protection   | 75950      |                |

## Ordering example for Size 1/Height 845

7 Built-in units maximum

consisting of:

|  |           |
|--|-----------|
| 1 x Cabel distribution cabinet size 1 with busbar-system | SK 081 GA |
| 1 x Standard pedestal (kit) size 1 (900 mm)              | SX 006    |



| Example                                      |            | required space |
|--|------------|----------------|
| 1 x HRC-fuse strip with disconnecter, size 2 |            | 1              |
| 1 x HRC-load fuse strip, size 2              | EH 241 CAC | 1              |
| 2 x HRC-fuse strip, size 2                   | EH 212 CAB | 1              |
| 2 x HRC-load fuse strip, size 00             | EH 041 CAD | 1              |
| 1 x Adapter set with insulating protection   | 75950      |                |
| 2 x HRC-fuse strip, size 00                  | EH 052 CAD | 1              |
| 1 x Adapter set with insulating protection   | 75950      |                |

Alternative combinations: The cable distribution cabinets can be equipped with all kind of built-in units.

1 built-in unit consists of:

- 1 x HRC-fuse strip with disconnecter, size 2
- or 1 x HRC load fuse strip, size 2
- or 1 x HRC fuse strip, size 2
- or 2 x HRC load fuse strip, size 2 (Adapter set required)
- or 2 x HRC fuse strip, size 2 (Adapter set required)
- or 1 x direct connection via screws, bolts and direct termination

# Cabinets and Pillars

## System **GEYER** HRC-Fuse Strips

| Type   | Reference-No. | Type   | Reference-No. |
|--|---------------|--|---------------|
| <p><b>Size 3</b></p> <p><b>HRC-Fuse strips</b><br/><b>Size 3, 630 A - 690 V</b><br/>1-pole switchable<br/>Screw connection M12 x 30<br/>Incoming cover<br/>Material to fix on busbars</p>  <p><b>EH 341 AAB</b></p>            |               | <p><b>Size 00</b></p> <p><b>HRC-Fuse strips</b><br/><b>Size 00, 160 A - 690 V</b><br/>1-polig schaltbar<br/>Screw connection M8 x 20<br/>Incoming cover<br/>Connection material</p>  <p><b>EH 041 AAC*</b></p>            |               |
| <p><b>HRC Load Fuse strips</b><br/><b>Size 3, 630 A - 690 V</b><br/>3-pole switchable<br/>Screw connection M12 x 30<br/>Incoming cover<br/>Material to fix on busbars</p>  <p><b>EH 343 AAB</b></p>                            |               | <p><b>HRC-Fuse strips</b><br/><b>Size 00, 160 - 690 V</b><br/>1-pole switchable<br/>V-shaped frame<br/>direct terminals 10-95mm<sup>2</sup>, se<br/>Incoming cover<br/>Connection material</p>  <p><b>EH 041 CAD*</b></p> |               |
| <p><b>Size 1 and 2</b></p> <p><b>HRC Load Fuse strips</b><br/><b>Size 2, 400 A - 690 V</b><br/>1-pole switchable<br/>Screw connection M12 x 35<br/>Incoming cover<br/>Material to fix on busbars</p>  <p><b>EH 241 AAG</b></p> |               | <p><b>HRC-Fuse strips</b><br/><b>Size 00, 160 A - 690 V</b><br/>Screw connection M8 x 20<br/>Incoming cover, fuse link cover<br/>Connection material</p>  <p><b>EH 052 AAC*</b></p>                                       |               |
| <p><b>HRC Load Fuse strips</b><br/><b>Size 2, 400 A - 690 V</b><br/>1-pole switchable<br/>V-direct terminals 35-240 mm<sup>2</sup>, se<br/>Incoming cover<br/>Material to fix on busbars</p>  <p><b>EH 241 CAC</b></p>        |               | <p><b>HRC-Fuse strips</b><br/><b>Size 00, 160 A - 690 V</b><br/>V-shaped frame<br/>direct terminals 10-95mm<sup>2</sup>, se<br/>Incoming cover, fuse link cover<br/>Connection material</p>  <p><b>EH 052 CAD*</b></p>   |               |
| <p><b>HRC Load Fuse strips</b><br/><b>Size 2, 400 A - 690 V</b><br/>3-pole switchable<br/>Screw connection M12 x 30<br/>Incoming cover<br/>Material to fix on busbars</p>  <p><b>EH 243 AAB</b></p>                          |               | <p>* Adapter set required for mounting</p>   |               |
| <p><b>HRC-Fuse strips</b><br/><b>Size 2, 400 A - 690 V</b><br/>V-direct terminals 35-240mm<sup>2</sup>, se<br/>Incoming cover, fuse link cover<br/>Material to fix on busbars</p>  <p><b>EH 231 CAA</b></p>                  |               | <p><b>Required for HRC-Fuse strips, size 00</b></p> <p><b>Adapter set with insulated protection cover to fit on the space of a built-in unit load fuse strip size 2, a built-in unit of 2 load fuse strips size 00</b></p>   |               |
| <p><b>with body cover</b><br/>U-shaped, 1000mm wide</p>  <p><b>EH 232 CAB</b></p>  |               | <p>with steel frame V-clamps<br/>10-95 mm<sup>2</sup> Al/Cu (for PEN) <b>75950</b></p> <p>with screw connection<br/>M8 x 20 (for PEN) <b>75952</b></p>    |               |






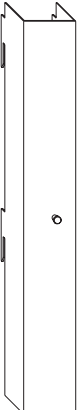
**Shroud above busbars**  
symmetric  
H x B (mm) 560 x 102

**47930**

HRC fuse strips may only be used by authorized technicians or electrotechnically instructed persons.  
Locked doors are required for distribution cabinets.

# Cabinets and Pillars

System  
**GEYER** Connections

| Type  | Reference-No.       |
|---|---------------------|
|  <p><b>Direct termination</b><br/>for aluminium and copper conductors with mounting screw M12x55 (1 pcs)<br/>scope of termination:<br/>50 mm<sup>2</sup>, re<br/>35–70 mm<sup>2</sup>, rm<br/>50–185 mm<sup>2</sup>, se<br/>35–150 mm<sup>2</sup>, sm</p>                                  | <p><b>44630</b></p> |
|  <p><b>Direct termination</b><br/>for aluminium and copper conductors with mounting screw M12x55 (1 pcs)<br/>scope of termination:<br/>2 x 50 mm<sup>2</sup>, re<br/>2 x 35–70 mm<sup>2</sup>, rm<br/>2 x 50–185 mm<sup>2</sup>, se<br/>2 x 35–150 mm<sup>2</sup>, sm</p>                  | <p><b>44631</b></p> |
|  <p><b>Direct termination</b><br/>Steelframe-V-terminal for Al- and Cu conductors with V-shaped contact-flags and connecting screws<br/>scope of termination:<br/>16–150 mm<sup>2</sup>, re<br/>16–150 mm<sup>2</sup>, rm<br/>35–240 mm<sup>2</sup>, se<br/>35–240 mm<sup>2</sup>, sm</p> | <p><b>69993</b></p> |
|  <p><b>Shroud above busbars for direct terminations</b><br/>H x W (mm) 750 x 100</p>   | <p><b>60138</b></p> |

The feeding can also be realized through NH00 and Nh2 fuse strips.
















# Spare parts and accessories

## System **GEYER** Spare parts and accessories for cabinets and pillars

| Type  | Reference-No.  | Type  | Reference-No.   |                   |  |       |                                     |        |                               |        |  |
|---|--|---|-----------------|-------------------|--|-------|-------------------------------------|--------|-------------------------------|--------|--|
| <p><b>Double locking complete</b><br/>(without locking cylinder)</p>  | <b>78842</b>   | <p><b>Filling compound</b><br/>Plastic bag with 25l absorber stones. To reduce condensation water inside of the cabinet.</p>  | <b>95075</b>    |                   |  |       |                                     |        |                               |        |  |
|   |  | <table border="1"> <thead> <tr> <th>Type of cabinet</th> <th>required quantity</th> </tr> </thead> <tbody> <tr> <td>115, 135, 142, 152, 153, 154, 162, 172, 173, 202</td> <td>1 bag</td> </tr> <tr> <td>size 00, size 0, 155, 175, 176, 205</td> <td>2 bags</td> </tr> <tr> <td>size 1, size 2, 157, 177, 207</td> <td>3 bags</td> </tr> </tbody> </table> <p>The filling height should be approximately 200–300 mm</p> | Type of cabinet | required quantity | 115, 135, 142, 152, 153, 154, 162, 172, 173, 202 | 1 bag | size 00, size 0, 155, 175, 176, 205 | 2 bags | size 1, size 2, 157, 177, 207 | 3 bags |  |
| Type of cabinet   | required quantity  |   |                 |                   |  |       |                                     |        |                               |        |  |
| 115, 135, 142, 152, 153, 154, 162, 172, 173, 202  | 1 bag  |   |                 |                   |  |       |                                     |        |                               |        |  |
| size 00, size 0, 155, 175, 176, 205   | 2 bags   |   |                 |                   |  |       |                                     |        |                               |        |  |
| size 1, size 2, 157, 177, 207   | 3 bags   |   |                 |                   |  |       |                                     |        |                               |        |  |
| <p><b>Locking devices</b><br/>Half cylinder with 2 keys</p>   | <b>50994</b>   |   |                 |                   |  |       |                                     |        |                               |        |  |
| <p><b>Spare part</b><br/>Only the key</p>   | <b>50995</b>   |   |                 |                   |  |       |                                     |        |                               |        |  |
| <p><b>Ground grid</b><br/>for polyester pedestals with screw M 10 for earth connection with 2 clamping straps</p> <p><b>for cable distribution cabinets</b></p>                       | <p>CDC size 00 <b>69756</b><br/> CDC size 0 <b>69757</b><br/> CDC size 1 <b>69758</b><br/> CDC size 2 <b>69759</b></p> |   |                 |                   |  |       |                                     |        |                               |        |  |
|   |  | <p><b>for pillars</b></p> <p>Type 162 <b>90224</b><br/> Type 115/135/152/172/202 <b>90216</b><br/> Type 155/175/205 <b>69757</b><br/> Type 157/177/207</p>  |                 |                   |  |       |                                     |        |                               |        |  |
| <p><b>Ground grid</b><br/>for polyester pedestals with screw M 10 for earth connection with 2 clamping straps with adjustment roots</p> <p><b>for cable distribution cabinets</b></p> | <p>CDC size 00 <b>69769</b><br/> CDC size 0 <b>69770</b><br/> CDC size 1 <b>69771</b><br/> CDC size 2 <b>69772</b></p> |   |                 |                   |  |       |                                     |        |                               |        |  |
|   |  | <p><b>for pillars</b></p> <p>Type 162 <b>90226</b><br/> Type 115/135/152/172/202 <b>90218</b><br/> Type 155/175/205 <b>69770</b><br/> Type 157/177/207 <b>69771</b></p>   |                 |                   |  |       |                                     |        |                               |        |  |

# Spare parts and accessories

## System **GEYER** Spare parts and accessories for cabinets and pillars

| Type  | Reference-No.                       | Type  | Reference-No.   |
|---|-------------------------------------|---|---|
|  <b>Meter cover</b><br>IP 54 sealable retrofit<br>375 mm without door<br>375 mm with door  | <b>SY 375 A</b><br><b>SY 375 AT</b> |  <b>Cable-end insulating set</b><br>for crimped cables 10 mm <sup>2</sup><br>(7 pieces)                | <b>DY 56814 A</b>   |
|  450 mm without door<br>450 mm with door   | <b>SY 450 A</b><br><b>SY 450 AT</b> |  <b>Bag for wiring diagrams</b>   | <b>55696</b><br>DIN A4  |
|  <b>Cover for multi-rate tariff device</b><br>IP 54 sealable retrofit<br>300 mm without door                                       | <b>SY 300 A</b>                     |  <b>Heating 33 W</b><br>thermostatically controlled   | <b>55517</b>  |
|  <b>Cover</b><br>sealable,<br>with cable-end insulation<br>(for meterplate outlet)  | <b>DY 57308 A</b>                   |  <b>Lighting fitting</b><br>with switch and<br>socket outlet "Schuko"<br>for cabinets DIN size 00 - 2 | <b>75924</b>  |
|  <b>Blank piece RAL 9002</b><br>length 216 mm<br>1 set = 10 pieces   | <b>DY 69 X</b>                      |  <b>Door stopper</b><br>limits the door opening<br>at approx. 110°                                  | <b>69846</b>  |
|  <b>Blank piece</b><br>lockable  | <b>DY 95032 A</b>                   | <b>Main MCB</b><br>E=Exact-Charakteristic, 25 kA<br>acc. to DIN VDE 064<br>1,05...1,2 · I <sub>n</sub>  | <b>XHA120-4</b><br><b>XHA125-4</b><br><b>XHA132-4</b><br><b>XHA135-4</b><br><b>XHA140-4</b><br><b>XHA150-4</b><br><b>XHA163-4</b><br><b>XHA190-4</b><br><b>XHA199-4</b> |
|  <b>Cover</b><br>for temporary connection side<br>opening Ø 55mm<br>of SL 152/155/157/172<br>175/202/205/207                     | <b>49626</b>                        | <b>Main MCB with busbar adapter</b><br>3 x 1-pole<br>E=Exact-Charakteristic, 25 kA<br>acc. to DIN VDE 064<br>1,05...1,2 · I <sub>n</sub>  | <b>XKS325-4</b><br><b>XKS335-4</b><br><b>XKS340-4</b><br><b>XKS350-4</b><br><b>XKS363-4</b>   |
|  <b>Intermediate slider</b><br>(e. g. when different tariffs)  | <b>DY 56132 W</b>                   |   |   |
|  <b>Seperation wall</b><br>perforated<br>for vertical seperation of<br>different tariffgroups for<br>mod. devices 68/85mm        | <b>DY 54694 W</b>                   |   |   |
|  <b>Seperation wall</b><br>for vertical seperation<br>fixing on 2 DIN rails<br>230mm long<br>usage in 300mm<br>distribution area | <b>DY 37205 W</b>                   |   |   |

Flanges see page H3-10.  
Terminals see page H5-4.