

## Main Junction Boxes/Main supply units

Wall mounted connection boxes

Main supply units

- For small supplies DIII, IP 40
- For small supplies DII, NH00 IP 54

Main supply units KH00  
acc. to DIN 43627  
Type K3, K4, K12

Accessories



■ The progressive main supply units K3, K4 and K12 are produced to keep them as environmental protective as possible. This is achieved by adding recyclat into the molding process.

As a matter of course all the products containing recyclat are in accordance with the electromechanical and physical requirements. Quite often the required DIN standards are far exceeded with these products.

Main supply units are separated into categories in response to the feeding current

- up to 100A with NH00 fuse bases
- up to 160A with NH1 fuse bases
- up to 250A with NH2 fuse bases

Main supply units are the link between the utility network and the domestic installation.

### Features:

- Energy takeover from power supply net to the consumer unit
- Protection degree IP54 for all types K3, K4 und K12

# Main supply units

## System **GEYER** Technical information

### Main supply units

#### For small supplies DIII

**Technical specification:**

protection degree IP40  
closed baseplate with markings for rear cable supply

**Material**

housing and baseplate made of plastic

**Housing**

sealable

#### For small supplies DII, NH00

**Technical specification**

degree IP54

**Material**

glasfiber-reinforced polyester Typ 803

**Usage:**

multi circuit boxes 2x3NH00 (I<sub>D</sub>=50A)  
multi circuit boxes 3x3NH00 (I<sub>D</sub>=63A)

**Housing**

sealable

#### Size K3/K4

**Technical specification:**

DIN VDE0660-505  
protection degree IP40  
DIN 43627

Supply via membrane inlet. Outgoings via stepped twist nipples, at the left and right side wall Pg36 knockouts are available. The cover can be replaced in a 15° position.

**Material**

glasfiber-reinforced polyester Typ 803  
acc. to DIN 16911

**Housing**

sealable

Inner protection cover

System GEYER-safety-cover which is turned down after commissioning stays in the unit and is used as protection cover. For outdoor applications please use rain-roof

#### Size K12

**Technical specification:**

DIN VDE0660-505  
protection degree IP40  
DIN 43627

Supply and outgoings via removable, stepped seals. Additional sliders can be fitted either in the left or right side wall. The cover can be replaced in a 15° position.

**Material**

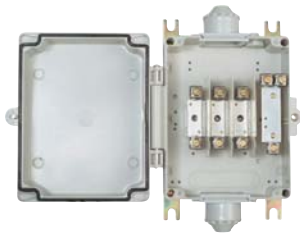
glasfiber-reinforced polyester Typ 803  
acc. to DIN 16911

**Housing**

sealable

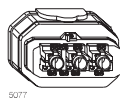
# Main supply units

## System **GEYER** Wall mounted connection boxes

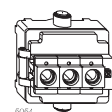


Type	Reference-No.
Protection degree: IP 54 Material: reinforced plastic Type 84 Terminals: stellframe terminals  <b>with terminals 10-50 mm<sup>2</sup></b> Incoming and outgoing with Pg 36/29 4-pole incoming: 10-50 mm <sup>2</sup> Copper outgoing: 10-50 mm <sup>2</sup> Copper, PE/N 2 x 10-50 mm <sup>2</sup> Copper H x W x D (mm) 235 x 180 x 110	<b>LA 450 GA1</b>

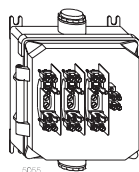
## System **GEYER** Main supply units



Type	Dimensions H x W x D (mm)	Reference No.
<b>For small supplies DIII, IP 40</b>  <b>with DIII-fuse socket</b> 6-25 mm <sup>2</sup> clamp terminals  3 x 63 A	158 x 220 x 115	<b>HM 532</b>



<b>For small supplies DII, NH00</b> <b>IP 54</b> <b>with DII-fuse socket</b>  3 x 25 A Feeding: clamp terminal 4-16 mm <sup>2</sup> , Pg21 Outgoing: clamp terminal 4-16 mm <sup>2</sup> , Pg21	160 x 180 x 100	<b>HW 231</b>
---	-----------------	---------------



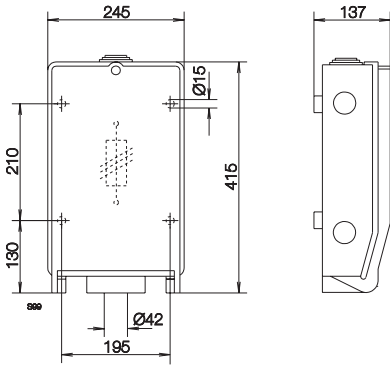
<b>with fuse-bases</b>  1 x 3 NH00 Feeding: terminals 10-50 mm <sup>2</sup> , Pg 36/29 Outgoing: terminals 10-50 mm <sup>2</sup> , Pg29	233 x 180 x 110	<b>HW 334</b>
1 x 3 NH00 Feeding: terminals 10-50 mm <sup>2</sup> , Pg 36/29 Outgoing: terminals 10-35 mm <sup>2</sup> , Pg29	245 x 235 x 110	<b>HW 434</b>

# Main supply units

System **GEYER** Main supply units KH00 acc. to DIN 43627

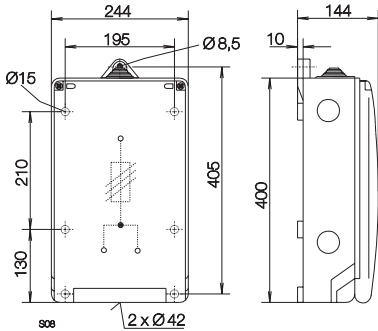
Type	Reference No. 1 incoming	Reference No. 2 incoming
------	-----------------------------	-----------------------------

## Size K3



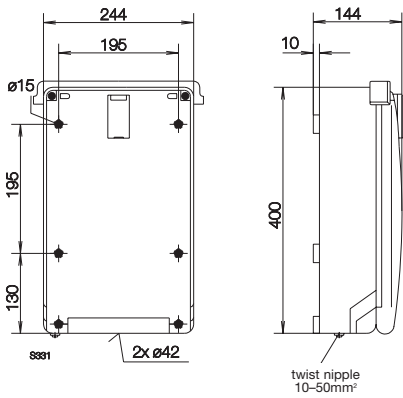
armament + PEN	feeding Al/Cu (mm <sup>2</sup> )	outgoing Al/Cu (mm <sup>2</sup> )	outgoing Pg	I <sub>D</sub> (A)	
1 x 3 NH00	10 - 95	10 - 50	stepped twist nipple	100	<b>HK 334 C</b>

## Size K4



armament + PEN	feeding Al/Cu (mm <sup>2</sup> )	outgoing Al/Cu (mm <sup>2</sup> )	outgoing Pg	I <sub>D</sub> (A)	
1 x 3 NH00	2 x 10 - 50	10 - 50	stepped twist nipple	100	<b>HS 434 C</b>

### with rain-roof



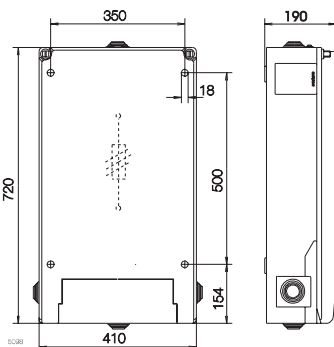
armament + PEN	feeding Al/Cu (mm <sup>2</sup> )	outgoing Al/Cu (mm <sup>2</sup> )	outgoing Pg	I <sub>D</sub> (A)	
1 x 3 NH00	10 - 95	10 - 50	stepped twist nipple	100	<b>HK 434 C</b>

### with rain-roof and locking mechanism for cylinder lock

armament + PEN	feeding Al/Cu (mm <sup>2</sup> )	outgoing Al/Cu (mm <sup>2</sup> )	outgoing Pg	I <sub>D</sub> (A)	
1 x 3 NH00	10 - 95	10 - 50	stepped twist nipple	100	<b>HK 434 CA</b>

## Size K12

### Enclosed area separated by internal shroud



armament + PEN	feeding Al/Cu V-terminal	outgoing Al/Cu (mm <sup>2</sup> )	I <sub>D</sub> (A)		
2 x 3 NH00	50 - 185	10 - 50	2 x 100 A	<b>HK 864 C</b>	<b>HS 864 C</b>
1 x 3 NH2/1	50 - 185	16 - 150	250 A	<b>HK 837 C</b>	<b>HS 837 C</b>

# Flush mounting frame for main supply unit

System  
**GEYER** Accessories

Type



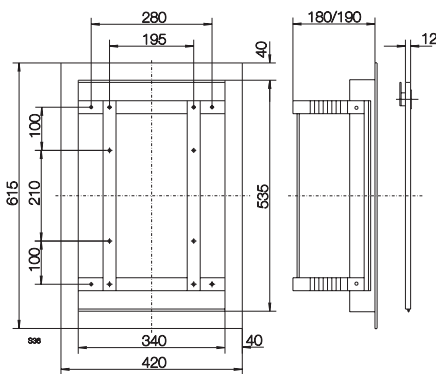
### Flush mounting frame

with plug-in door,  
blind frame adjustable approx. 10 mm to compensate height of plaster,  
flush mounting frame made of steel incl. fixing screws for main supply unit.

for outer walls: steelframe hot-dip galvanised, steel powder coated white RAL 9010  
blind frame and door made of aluminium

The locking of the plug-in door is with a turning bolt mechanism (8mm square bolt with slot and rain protection).

On request also possible with cylinder lock or individual customer locking systems.



adequate for main supply unit		Niche	Outer frame	Reference No.
H x W x D (mm)	Size	H x W x D (mm)	H x W (mm)	outer wall
<b>Wall frame</b>				
415 x 245 x 137	K3	555 x 360 x 185	615 x 420	<b>HR 044</b>
400 x 244 x 144	K4	555 x 360 x 185	615 x 420	<b>HR 044</b>
720 x 410 x 190	K12	910 x 470 x 200	940 x 500	<b>HR 064</b>
<b>Wall enclosure with locking system for profile cylinder</b>				
415 x 245 x 137	K3	555 x 360 x 185	615 x 420	<b>HR 074 A</b>
400 x 244 x 144	K4	555 x 360 x 185	615 x 420	<b>HR 074 A</b>

**Euro profile cylinder** 50994  
two keys included

**Profile cylinder** 49468  
inner square 8 mm

**Key** 51032  
inner square 8 mm for operating the turning bolt  
large design (length approx. 80 mm)