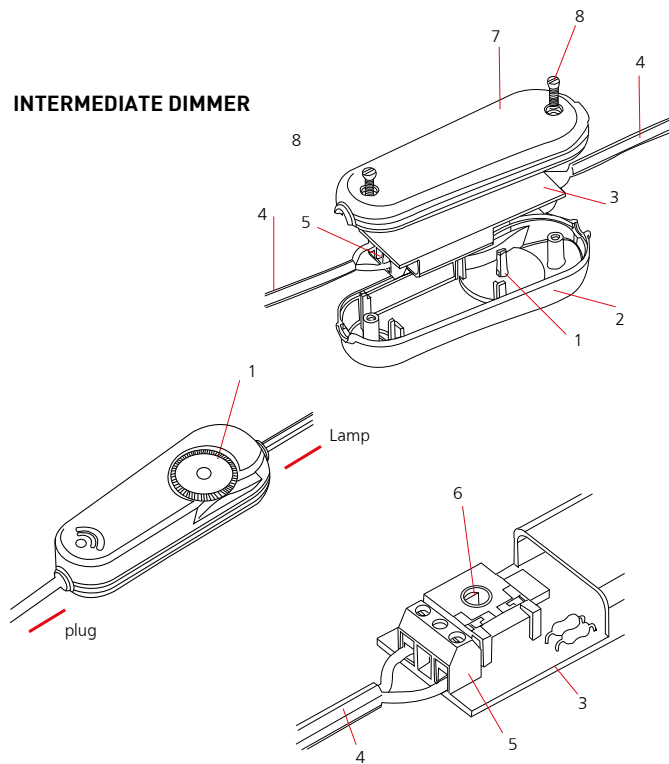


INTERMEDIATE DIMMER



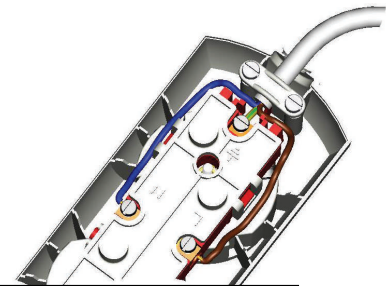
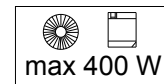
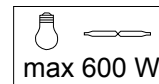
Open the body by removing the screws (8) at its lower part (7).

Remove the lower body (7) and the electronic circuit (3) completely from the upper body (2) and the adjustment wheel (1).

Insert the phase and neutral cables (4) into the connector (5).

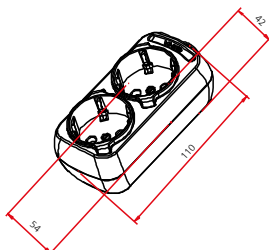
Place the electronic circuit (3) into the upper body (2) in a way that the pivot of the adjustment wheel fits into the hole in the trimpot (6).

Place the lower body (7) onto the upper body (2) and tighten the screws (8).

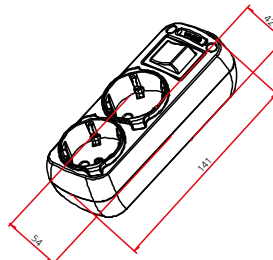


| PART NAME                                  | RAW MATERIAL   | DESCRIPTION   |
|--|----------------|---|
| Base of 2-gang Flush-Mounted Socket-Outlet | PA6 reinforced |   |
| Module Parts of Lale                       | PA 66 Original | PA66 is a material with high heat resistance. Its fire resistance class is V0 (960° C). Its rigid structure prevents switches from getting loos due to operating. |
| Nuts                                       | DKP            | iron based material of 2 mm thickness. Zinc coated for protection against corrosion   |
| Connectors and riveted washers             | MS 58          | Is an alloy with high conductivity; consists of 58% copper and certain percentages of aluminium, tin, lead and zinc. Additionally nickel plated.                  |
| Voltage Contacts Earthing Contacts         | MS 70          | Is a material with high conductivity; consists of 70% copper and certain percentages of aluminium, tin, lead and zinc   |
| Sockets                                    | MS 58          | Is an alloy with high conductivity; consists of 58% copper and certain percentages of aluminium, tin, lead and zinc. Additionally nickel plated.                  |
| Screws                                     | Iron           | Made of iron wire; highly resistant to pressure and twisting; zinc coated for protection against corrosion  |
| Body                                       | POLYPROPYLENE  | Class V1 fire resistance. High abrasion and shock resistant. Gets not effected by foreign influences, moisture and chemicals.                                     |

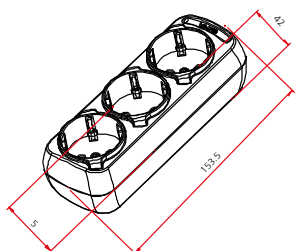
Product Name **Leylak 2-Gang Earthed**



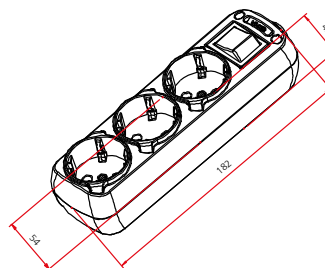
Product Name **Leylak 2-Gang Earthed with switch**



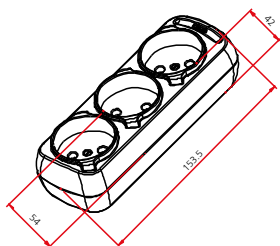
Product Name **Leylak 3-Gang Earthed**



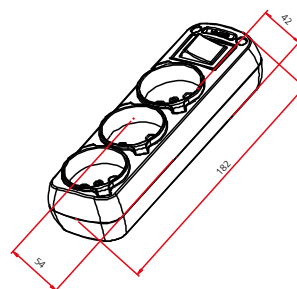
Product Name **Leylak 3-Gang Earthed with Switch**



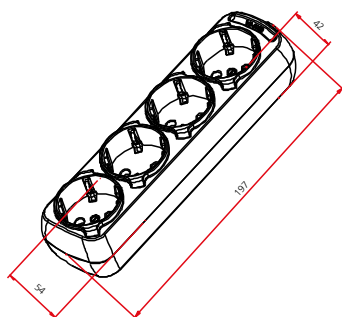
Product Name **Leylak 3-Gang**



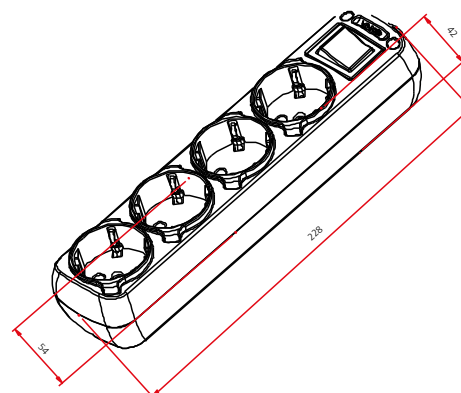
Product Name **Leylak 3-Gang with Switch**



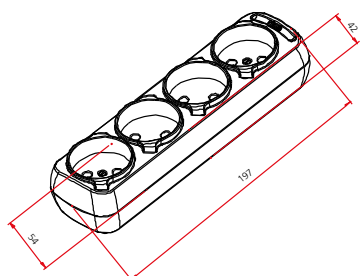
Product Name **Leylak 4-Gang Earthed**



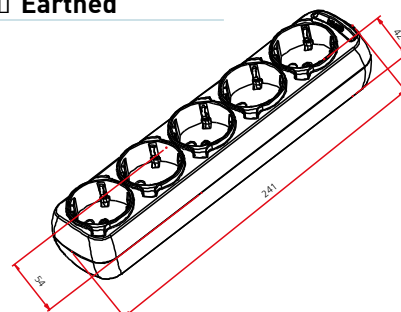
Product Name **Leylak 4-Gang Earthed with Switch**



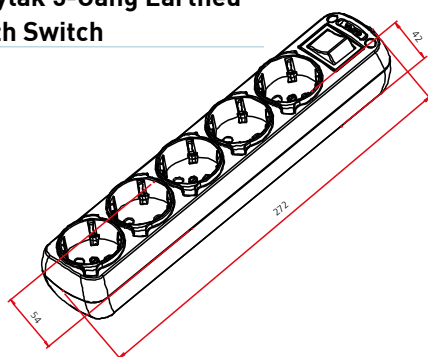
Product Name **Leylak 4-Gang**



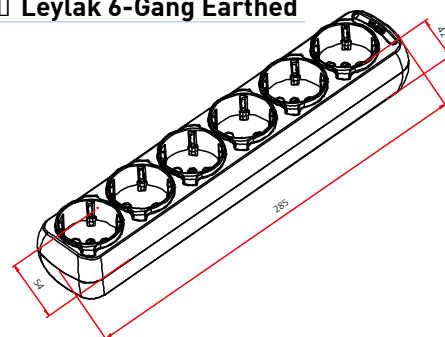
Product Name **Leylak 5-Gang Earthed**



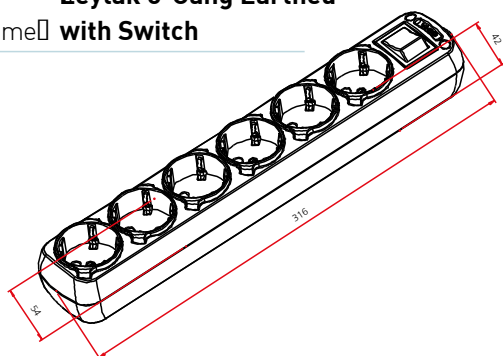
Product Name **Leylak 5-Gang Earthed with Switch**



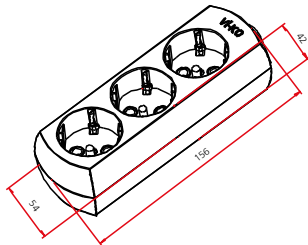
Product Name **Leylak 6-Gang Earthed**



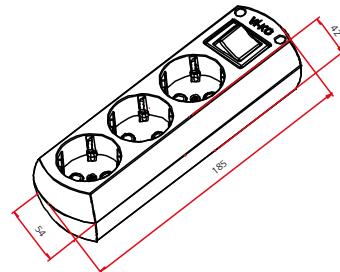
Product Name **Leylak 6-Gang Earthed with Switch**



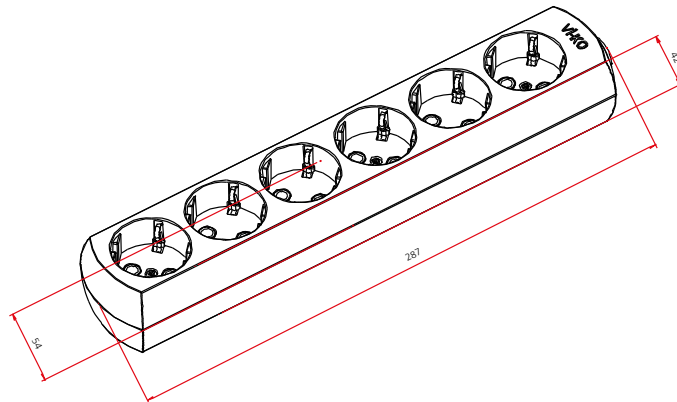
Product Name **Lale 3-Gang Earthed**



Product Name **Lale 3-Gang Earthed with Switch**



Product Name **Lale 6-Gang Earthed**



Product Name **Leylak 6-Gang Earthed with Switch**

