



POLYESTER ENCLOSURES



MAY 2007 - FIRST EDITION

I DIVISIÓN ELÉCTRICA S.A.
www.ide.es

Head office – Factory of plastic enclosures
Pol. Villanueva de Gállego, Sector 2, parcela H
E-50830 VILLANUEVA DE GÁLLEGO – ZARAGOZA (SPAIN)

Factory of metal enclosures and plugs & sockets
Pol. Los Huertos
50800 ZUERA – ZARAGOZA (SPAIN)

Tel. +34 976 451 080 - Fax +34 976 451 085
E-mail: ide@ide.es

INDEX

polyester enclosures



● 66 POLYESTER	pág. 4
● Technical Features	pág. 5
● References	pág. 6
● Accessories	pág. 7
● POLYESTER 55	pág. 8
● Technical Features	pág. 9
● References	pág. 10
● Accessories	pág. 10

66 POLYESTER

This series is made up of a series of cabinets manufactured in hot pressed Polystyrene reinforced with glass fibre, halogen free, RAL9002 grey colour, which gives the series a really high performance level.

These are protection degree IP66 cabinets, and are available in 7 different sizes. They are symmetric and reversible in many cases, thus obtaining a high degree of versatility for carrying all types of electric, pneumatic, hydraulic and communications installations, etc...

The base is manufactured in just one piece thus guaranteeing optimum interior space availability and increasing its resistance to impact.

Its double insulation characteristics guarantee maximum safety both for the installations and for the personnel.

TECHNICAL DATA

Degree of protection	IP66
Resistance to impact	IK10
Auto-extinguishing degree	960°C
Thermic class	150°C
Materials	Hot moulded fibreglass reinforced polyester (GRP)
Greyish white color	RAL 9002

According to 2009/95/CE directive and UNE-EN 62208 and UNE-EN 60439-1-3 norms on affected parts.

CHARACTERISTICS OF THE MATERIAL

- **HIGH IMPACT STRENGTH:** Can take hits up to 20 Joules, IK10.
- **SELF-EXTINGUISHABLE:** Does not feed the flames.
- **DOUBLE ISOLATION:** Provides an excellent protection against contacts.
- **CORROSION RESISTANT:** Does not require any finishing or maintenance.
- **NON HYDROSCOPIC:** Does not absorb water.
- **EASILY MACHINED:** no special assembly tools are required.
- **EASY AND FAST FITTING:** Allows fast and easy fitting.
- **INSENSITIVE TO OUTDOOR ENVIRONMENT:** Resistant to climate changes.
- **LIGHT:** Comfortable and easy handling and installation.



APPLICATIONS

- Chemical and cement industry.
- Applied to regulate a water pump.
- Low voltage installations, general purpose cabinets for fitting on posts.
- Light, sound and hydraulic control.
- Access control and security systems.
- Weather stations, astronomical and their communications.



technical features



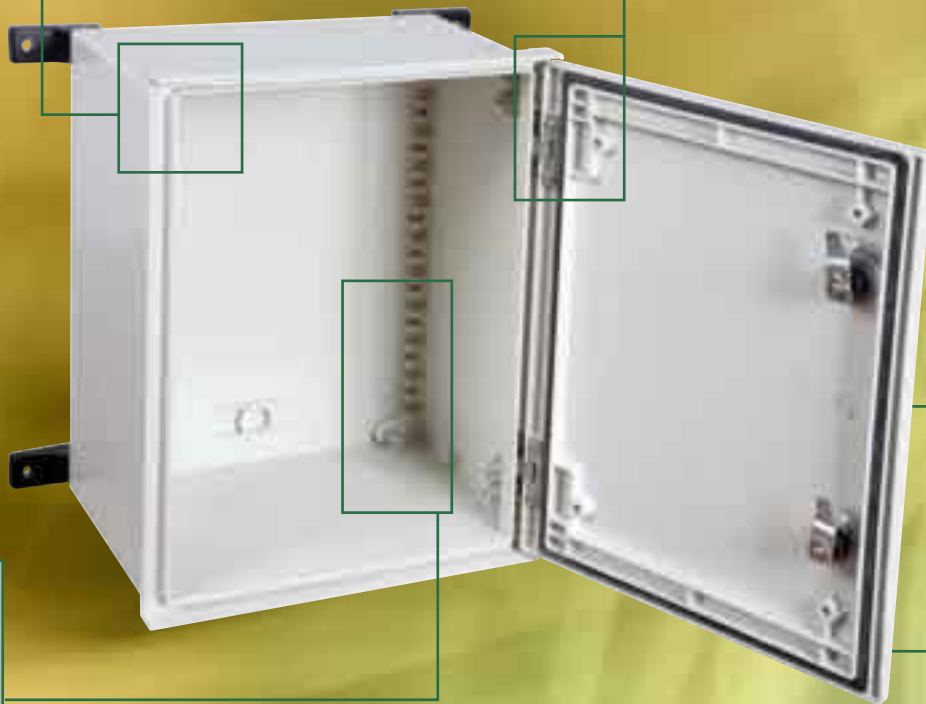
BUILT-IN / SURROUNDING PROTECTION EDGE

- Guarantee the possibility to open the door 180° in built-in installations.
- Avoid entrance of water while opening the door.
- Guarantee that the cabinet is straight in comparison with the surface.



INTERNAL ZAMAK HINGE

- 180° door opening warranted. Corrosion free.



EASY FITTING

- Quick fixture guides in the back.
- Permits fitting without drilling.



VARIOUS CLOSING SYSTEMS

- Double bit (Standard), triangular screw and manual with key lock.

66 POLYESTER



CABINETS FLAT DOOR

STANDAR LOCK 2x double bit DIN 3,0 mm	
Commercial Ref.	Code
POL302514	29200
POL403020	29201
POL404020	29202
POL504020	29203
POL604023	29204
POL605023	29205
POL806030	29206

Supplied with all the necessary accessories for direct wall mounting

dimensions

Commercial Ref.	A	B	C	D	E
POL302514	300	250	140	276	212
POL403020	400	300	200	370	262
POL404020	400	400	200	370	362
POL504020	500	400	200	470	362
POL604023	600	400	230	570	362
POL605023	600	500	230	570	462
POL806030	800	600	300	770	562

PLATES

POLYESTER BASE PLATE 4 mm thickness		METAL BASE PLATE galvanized steel 2 mm thickness		Cabinet Ref.
Commercial Ref.	Code	Commercial Ref.	Code	
PPL3025	29207	PML3025	29214	300x250x140
PPL4030	29208	PML4030	29215	400x300x200
PPL4040	29209	PML4040	29216	400x400x200
PPL5040	29210	PML5040	29217	500x400x200
PPL6040	29211	PML6040	29218	600x400x230
PPL6050	29212	PML6050	29219	600x500x230
PPL8060	29213	PML8060	29220	800x600x300

dimensions

Commercial Ref.	A	B	C	D
PPL3025 PML3025	268	213	248	175
PPL4030 PML4030	358	260	338	222
PPL4040 PML4040	358	360	338	322
PPL5040 PML5040	458	360	438	322
PPL6040 PML6040	558	360	538	322
PPL6050 PML6050	558	460	538	422
PPL8060 PML8060	754	556	734	518



MODULAR CHASSIS

Made of a chassis, die cast plates and DIN profiles

Commercial Ref.	Code	Modules	Rows	Cabinet Ref.
PCH4030	29244	24	2x12	POL403020
PCH4040	29245	36	2x18	POL404020
PCH5040	29246	54	3x18	POL504020
PCH6040	29247	54	3x18	POL604023
PCH6050	29248	69	3x23	POL605023
PCH8060	29249	116	4x29	POL806030



SURFACE MOUNTING

Description	Code
4 wall fixing set with head-insulated screws	29221
4 set of adjustable brackets	29222



ADJUSTABLE BASE PLATE

Set of four profiles for the adjustment of the base plate, to different depths

Description	Code
For 200 mm depth cabinets	29223
For 230 mm depth cabinets	29224
For 300 mm depth cabinets	29225



CLOSING PLATE

Are used for the entrance of cables, cable glands, etc.

Description	Code
For 250 width (10 pcs. bag)	29226
For 350 width (10 pcs. bag)	29227
For 400/500 width (10 pcs. bag)	29228



LOCKS

Description	Code
Standard double bit lock	29229
Triangular screw 11 mm	29230
Manual with key lock	29231
Double bit key	48449

55 POLYESTER

This series is made up of a series of cabinets manufactured in hot pressed Polystyrene reinforced with glass fibre, halogen free, RAL7035 grey colour, which gives the series a really high performance level.

These cabinets have an IP55 degree of protection, and are available in two depths, 300 and 420 mm, and are very versatile being able to use the same for carrying all types of electric, pneumatic, hydraulic and communications installations, etc...

Its double insulation characteristics guarantee maximum safety both for the installations and for the personnel.

TECHNICAL DATA

Degree of protection	IP55
Resistance to impact	IK10
Auto-extinguishing degree	960°C
Thermic class	150°C
Materials	Hot moulded fibreglass reinforced polyester (GRP)
Grey color	RAL 7035

According to 2009/95/CE directive and UNE-EN 62208 and UNE-EN 60439-1-3 norms on affected parts.

CHARACTERISTICS OF THE MATERIAL

- **HIGH IMPACT STRENGTH:** Can take hits up to 20 Joules, IK10.
- **SELF-EXTINGUISHABLE:** Does not feed the flames.
- **DOUBLE ISOLATION:** Provides an excellent protection against contacts.
- **CORROSION RESISTANT:** Does not require any finishing or maintenance.
- **NON HYDROSCOPIC:** Does not absorb water.
- **EASILY MACHINED:** no special assembly tools are required.
- **EASY AND FAST FITTING:** Allows fast and easy fitting.
- **INSENSITIVE TO OUTDOOR ENVIRONMENT:** Resistant to climate changes.
- **LIGHT:** Comfortable and easy handling and installation.



APPLICATIONS

- Chemical and petrochemical sectors.
- Shopping centers and big buildings for energy and security installations.
- Urban areas, controlling public lighting systems, traffic lights, energy control, etc.
- Lighting, sound or hydraulic control systems.
- Water treatment plants for the equipment hydraulic, pneumatic and energetic controls.



technical features



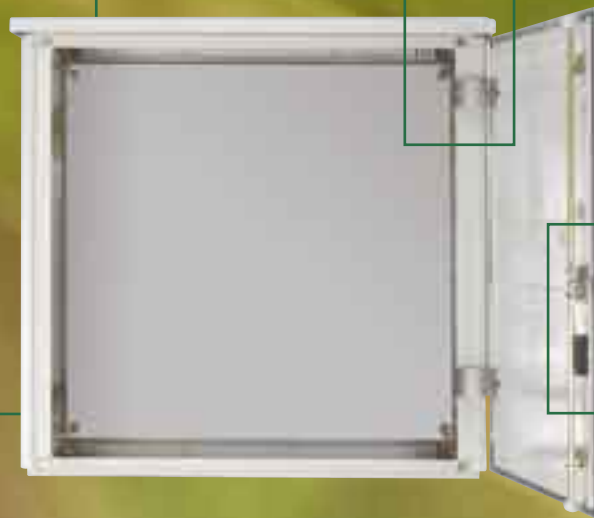
TWO DEPTHS

- Available in two depths 300 and 420 mm.



INTERNAL HINGES

- The internal hinges allow the door to be opened 105°.



FASTENING SYSTEMS

- Several basic fastening methods can be used: wall, surface and with pedestal.



VARIOUS LOCKING SYSTEMS

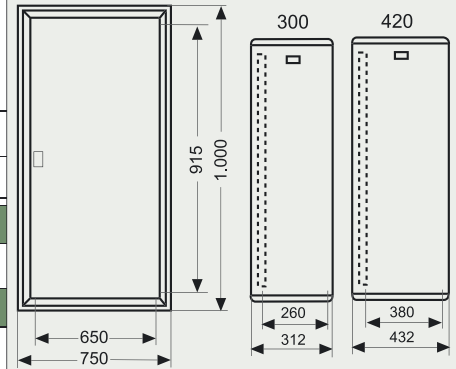
- Swing handle, double bit key lock, with key or triangular.

55 POLYESTER



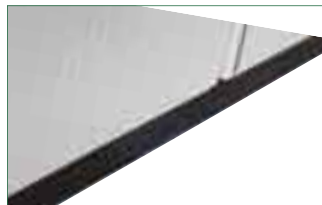
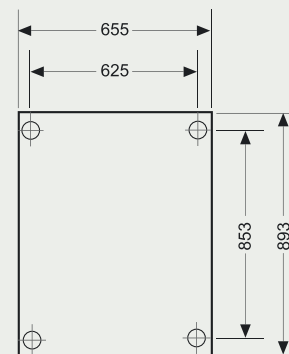
CABINETS FLAT DOOR

PLAIN TOP	
Commercial Ref.	Code
POL1007530	29232
Dimensions: 1.000x750x300	
POL1007542	29233
Dimensions: 1.000x750x420	



BASE PLATE

Commercial Ref.	Code	Cabinet Ref.
PPL10075	29234	1.000x750
Polyester base plate (fixed) (depth 300-420)		
PML10075	29235	1.000x750
Zincd metallic base plate (depth 300-420)		
PPG1007530	29236	1.000x750
Polyester base plate adjustable in depth and hinged (depth 300)		
PPG1007542	29237	1.000x750
Polyester base plate adjustable in depth and hinged (depth 420)		



STEEL PEDESTAL (painted in black)

Description	Commercial Ref.	Code	Cabinet Ref.
50 mm pedestal for 300 mm depth	ZOC1007530	29238	1.000x750x300
50 mm pedestal for 420 mm depth	ZOC1007542	29239	1.000x750x420



SURFACE BRACKETS

Description	Code
Group of 4 brackets made of Zincd Steel	29240



LOCKS with swing handle

Description	Code
Standard double bit lock	29241
Triangular screw 11 mm	29242
Manual with key look	29243
Double bit key	48460

general export sales conditions

These Sales Conditions are applied to all orders sent directly to **I DIVISIÓN ELÉCTRICA, S.A** main office. They shall also be applied to those orders requested to any Agent or Representative authorized by **I DIVISIÓN ELÉCTRICA, S.A.**

Sales prices will be those in force at the time of the order, specified in a Price List duly identified. Benefits and discounts agreed in each case will also be applied.

Our prices include a standard packing. Orders must always be multiple of IDE's standard packing units. **I DIVISIÓN ELÉCTRICA, S.A.** may apply its right to modify requested units of any reference if not properly adjusted to multiple of packing.

Prices are quoted under EXWORK terms. Other conditions must be agreed between the customer and **I DIVISIÓN ELÉCTRICA, S.A.** Any other ways, apart from the ones agreed, will be at the customer expenses. Minimum order requirements for shipments under FOB terms are of €2.100.

Goods will be delivered at the shortest possible time depending on the availability of the requested products. Partial shipments can be allowed in case of urgency of delivery. IDE is not liable for any possible lost or harm during the transport of goods. The customer should check the delivery note thoughtfully to ensure a correct reception of goods.

If a delivery date is given, goods are understood to be at the disposal of the BUYER at **I DIVISIÓN ELÉCTRICA, S.A** warehouse ceasing from any responsibility for lost or transport delay.

All orders will be understood as a buying offer confirmed by the customer to **I DIVISIÓN ELÉCTRICA, S.A.**

Returned material must always be authorized by the Commercial Department of **I DIVISIÓN ELÉCTRICA, S.A.** Authorized returns should travel free of transport expenses to our warehouse, deducting transport cost in a corresponding credit note. In any case, return should

be done within a maximum period of 30 days from the date of the order, unless there is a special agreement. All returned goods will have a minimum depreciation of 15% of its value due to reviewing and setting of service. This depreciation could be higher according to its conditions and manipulation.

Stipulated price will be paid by the BUYER in the due date. In the case of **I DIVISIÓN ELÉCTRICA, S.A.** accepting any payment postponement, the BUYER undertakes to accept subsequent rates and expenses.

All goods delivered are property of **I DIVISIÓN ELÉCTRICA, S.A.** until their full payment has been done. **I DIVISIÓN ELÉCTRICA, S.A.** does not accept any economic penalty due to delay in delivery time, unless there is a written and accepted agreement indicating it.

All goods manufactured by **I DIVISIÓN ELÉCTRICA, S.A.** have a GUARANTEE according to actual directives. In order to benefit from it, the BUYER must immediately acknowledge the detected anomaly to **I DIVISIÓN ELÉCTRICA, S.A.**

I DIVISIÓN ELÉCTRICA, S.A. is committed to replace without any charge defective goods, which will remain property of **I DIVISION ELECTRICA, S.A.** in order to analyze and correct appeared defects.

The GUARANTEE does not include products deteriorated by handling or inadequate assembly, improper storage or maintenance, or those products that have suffered any modification without previous written authorization by **I DIVISIÓN ELÉCTRICA, S.A**

In case of litigation the BUYER will submit to the Jurisdiction of the Courts of Zaragoza – Spain, with renounce to any other law-code.



I DIVISIÓN ELÉCTRICA S.A.
www.ide.es

Head office – Factory of plastic enclosures
Pol. Villanueva de Gállego, Sector 2, parcela H
50830 VILLANUEVA DE GÁLLEGO – ZARAGOZA (SPAIN)

Factory of metal enclosures and plugs & sockets
Pol. Los Huertos
50800 ZUERA – ZARAGOZA (SPAIN)

Tel. +34 976 451 080 – Fax +34 976 451 085
E-mail: ide@ide.es